

7. Parts catalog

Previous



Next



Go Back

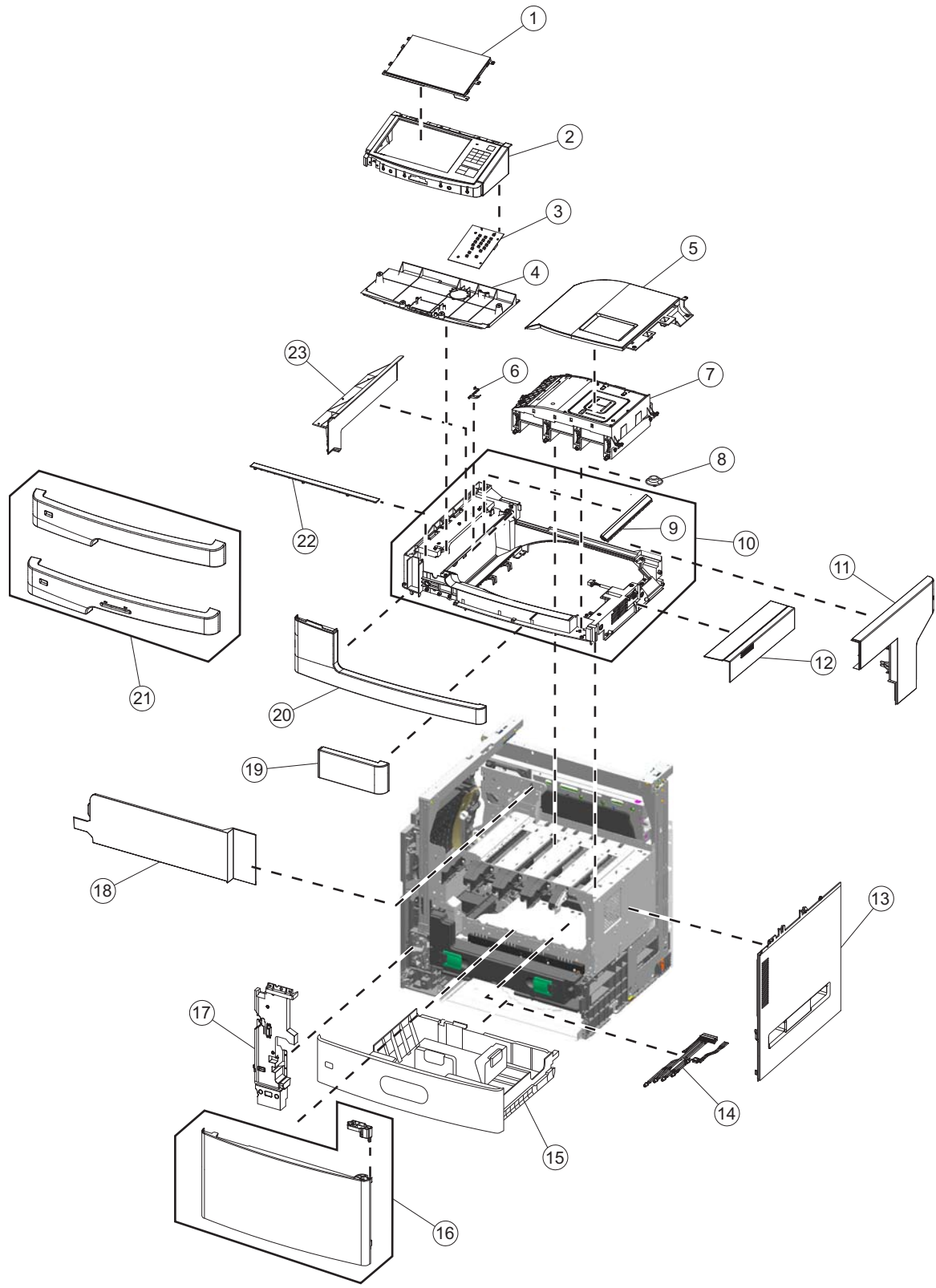
How to use this parts catalog

Asm-index	Part number	Units/mach	Units/FRU	Description	Removal procedure
-----------	-------------	------------	-----------	-------------	-------------------

- **Asm-index:** Identifies the assembly and the item in the diagram. For example, 3-1 indicates Assembly 3 and item number 1 in the table.
- **Part number:** Identifies the unique number that identifies this FRU.
- **Units/mach:** Refers to the number of units actually used in the base machine or product.
- **Units/option:** Refers to the number of units in a particular option. It does not include the rest of the base machine.
- **Units/FRU:** Refers to the number of units packaged together and identified by the part number.
- **Description:** Provides more descriptive information to help identify the part.
- **Removal procedure:** Links directly to the instructions for removing the part.
- **NS:** (Not shown) in the Asm-Index column indicates that the part is procurable but is not pictured in the illustration.
- Model information used in the parts catalog:

Abbreviation used	Machine type and model	Printer name
432	7562-432	X792de
436	7562-436	X792de, X792dte, X792dtfe, X792dtpe, X792dtme, X792dtse
496	7562-496	XS796de, XS796dte

Assembly 1: Front, right, and top covers



Previous



Next



Go Back

Assembly 1: Front, right, and top covers

Asm-Index	Part number	Units/mach	Units/FRU	Description	Removal procedures
1—1	40X6307	1	1	OP panel LCD and touch-screen display	“OP panel display removal” on page 4-111
2	40X7198	1	1	OP panel housing with buttons	“OP panel housing removal” on page 4-112
3	40X6308	1	1	OP panel UICC card	“OP panel UICC card removal” on page 4-113
4	40X7197	1	1	OP panel bottom cover	“OP panel bottom cover removal” on page 4-22
5	40X7182	1	1	Printhead access cover	“Printhead access cover removal” on page 4-22
6	40X7124	1	1	Bin-full flag	“Bin-full flag removal” on page 4-33
7	40X7127	1	1	Printhead assembly	“Printhead removal, installation, and alignment” on page 4-121
8	40X7117	1	1	OP panel speaker	“OP panel speaker removal” on page 4-113
9	40X7179	1	1	ESD bracket	“ESD bracket removal” on page 4-52
10	40X7181	1	1	AIO top cover assembly with output options cable	“AIO top cover removal” on page 4-5
11	40X7192	1	1	Scanner right side cover	“Scanner right side cover removal” on page 4-215
12	40X7183	1	1	AIO option cover	“AIO option cover removal” on page 4-4
13	40X7120	1	1	Right cover	“Right cover removal” on page 4-26
14	40X7189	1	1	Cave light/Out beacon cable	“40X7189” on page 7-70
15	40X6099	1	1	Standard media tray (550-sheet media tray assembly)	“Standard media tray removal” on page 4-149
16	40X7111	1	1	Front access door and pivot	“Front access door assembly removal” on page 4-9
17	40X7125	1	1	Waste toner left cover	“Waste toner left cover removal” on page 4-31
18	40X7186	1	1	AIO rear scanner cover	“AIO rear scanner cover removal” on page 4-211
19	40X7222	1	1	BSD scanner front cover (496)	“Scanner front cover removal” on page 4-213
19	40X7191	1	1	Scanner front cover (432, 436)	“Scanner front cover removal” on page 4-213
20	40X7184	1	1	AIO front lower cover	“AIO front lower cover removal” on page 4-3
21	40X7196	1	1	AIO front upper cover: <ul style="list-style-type: none"> • One with USB • One with USB and card reader slot 	“AIO front upper cover removal” on page 4-3
22	40X7190	1	1	Scanner top cover	“Scanner top cover removal” on page 4-216
23	40X7185	1	1	AIO lower scanner cover	“AIO lower scanner cover removal” on page 4-212

Previous

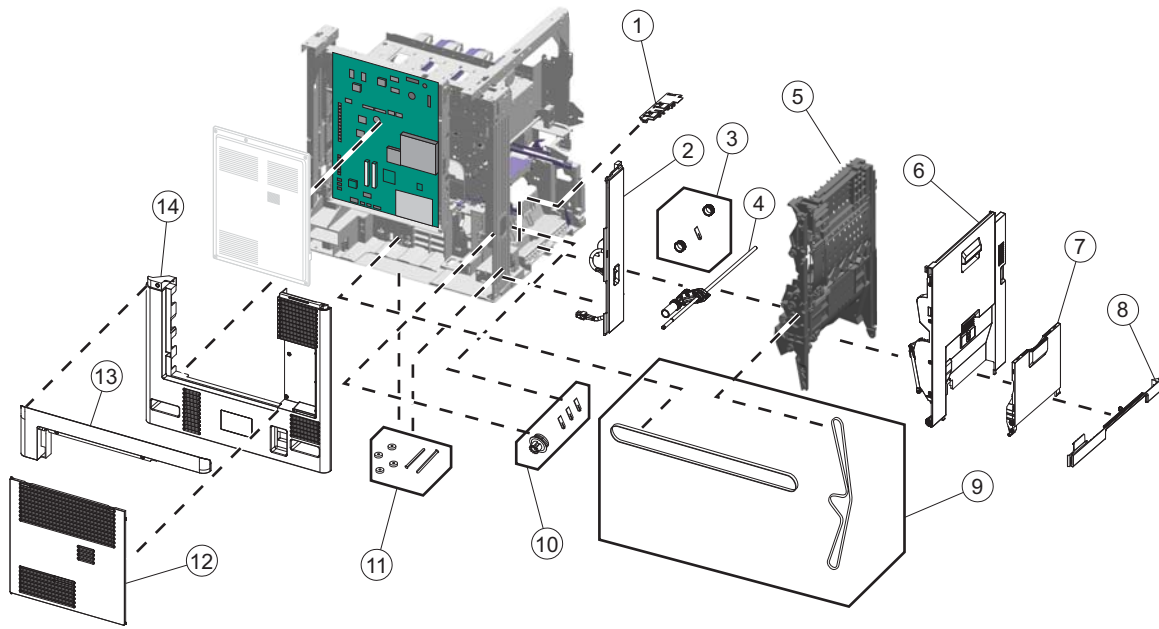


Next



Go Back

Assembly 2: Left and rear covers



Previous



Next



Go Back

Assembly 2: Left and rear covers

Asm-Index	Part number	Units/mach	Units/FRU	Description	Removal procedures
2—1	40X7151	1	1	MPF sensor plate assembly	“MPF sensor plate assembly removal” on page 4-106
2	40X7122	1	1	Left cover assembly with LVPS power switch	“Left cover removal” on page 4-16
3	40X7178	1	1	MPF pick tire roll assembly, including <ul style="list-style-type: none"> • Pick rolls (x2) • MPF Special wear strip, pellathane strip 	“MPF pick rolls and special wear strip removal” on page 4-101
4	40X7148	1	1	MPF paper pick assembly, including <ul style="list-style-type: none"> • Thrust washer • Pick tire rolls 	“MPF paper pick assembly removal (including the MPF ratchet collar and MPF drive pulley)” on page 4-98
5	40X7156	1	1	Duplex assembly	“Duplex assembly removal” on page 4-50
6	40X7123	1	1	Left access door assembly, including <ul style="list-style-type: none"> • Duplex belt shield • Connector shield 	“Left access door assembly removal” on page 4-10
7	40X7147	1	1	MPF door assembly, including <ul style="list-style-type: none"> • MPF door cover • MPF outer plate • MPF side restraint • Paper guide slide 	“Multipurpose feeder (MPF) cover removal” on page 4-21
8	40X7121	1	1	Lower left cover	“Lower left cover removal” on page 4-16
9	40X7157	1	1	Belts parts packet, including <ul style="list-style-type: none"> • MPF drive belt • Duplex drive belt 	“MPF drive assembly removal” on page 4-104 “Duplex assembly removal” on page 4-50
10	40X7150	1	1	MPF pick parts packet, including <ul style="list-style-type: none"> • MPF Wear strip (x3) • MPF pulley • Ratchet collar 	“MPF wear strips removal” on page 4-107 “MPF drive assembly removal” on page 4-104
11	40X7174	1	1	Pins & pads parts packet, including <ul style="list-style-type: none"> • Pad (x7) • Pin—Side door front • Pin—Side door rear 	“Pad removal” on page 4-114 “Left access door assembly removal” on page 4-10
12	40X7138	1	1	System board shield door	“Rear upper cover removal” on page 4-25
13	40X7180	1	1	Rear upper cover	
14	40X7105	1	1	Rear cover	“Rear cover removal” on page 4-23

Previous

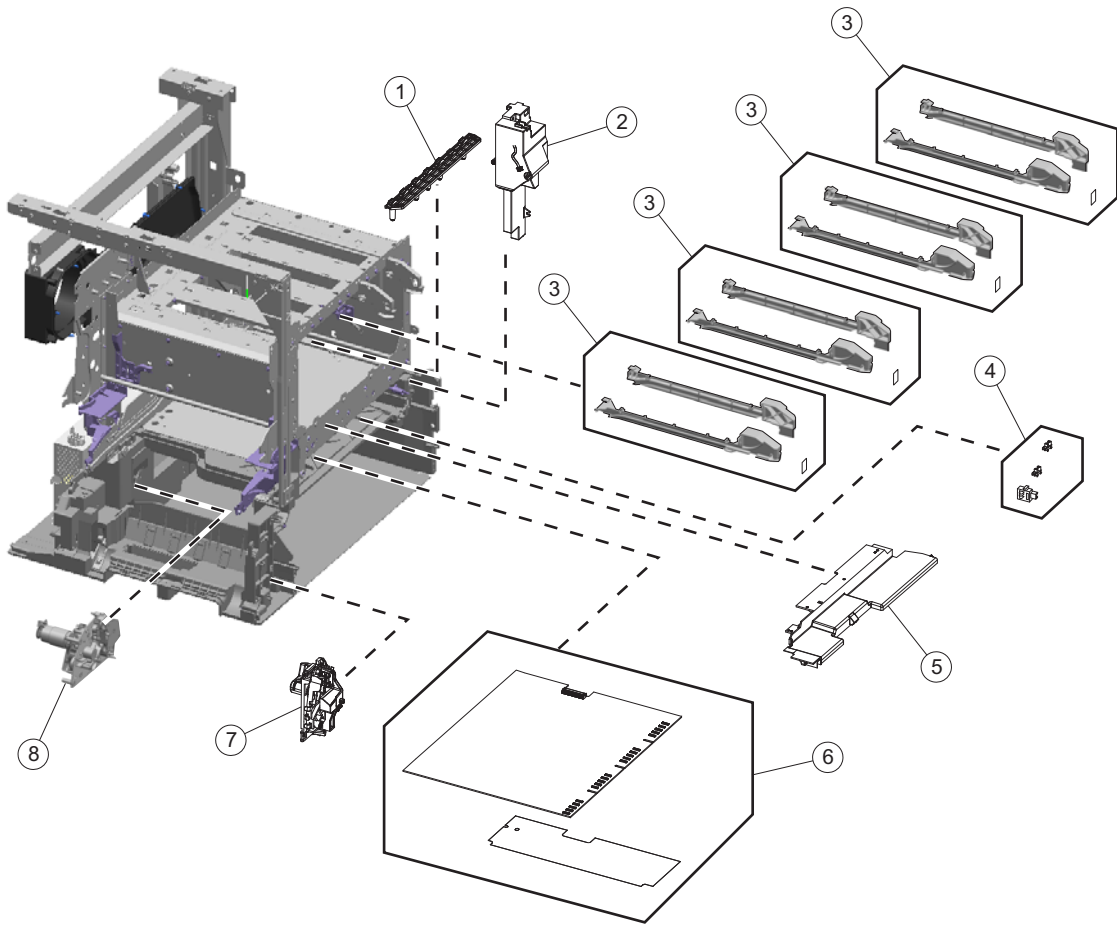


Next



Go Back

Assembly 3: Front



Previous



Next



Go Back

Assembly 3: Front

Index	P/N	Units/ mach	Units/ FRU	Description	Removal procedure
3—1	40X7145	1	1	ITU block assembly	“ITU block assembly removal” on page 4-75
2	40X7130	1	1	Cartridge blower assembly	“Cartridge blower assembly removal” on page 4-35
3	40X7141	4	1	Cartridge rail assembly, including <ul style="list-style-type: none"> •Labels Y, C, M, K (2 each) •Cartridge rail, right side •Cartridge rail, left side 	“Cartridge rail removal” on page 4-44
4	40X7163			Sensors parts packet, including <ul style="list-style-type: none"> •Waste toner sensors (2) •Paper auto size sensor •Paper path sensor (not shown) •Bin-full sensor (not shown) 	“Waste toner sensor removal” on page 4-164 “Waste toner full sensor removal” on page 4-168 “Paper auto-size sensor removal” on page 4-115 “Bin-full sensor removal” on page 4-34
5	40X7161	1	1	Waste toner tray bracket	“Waste toner tray bracket removal” on page 4-168
6	40X7139	1	1	HVPS assembly with cable shield	“High-voltage power supply (HVPS) board removal” on page 4-67
7	40X7112	1	1	Housing interlock assembly with sensor	“Housing interlock assembly removal” on page 4-71
8	40X7158	1	1	Staging paper path reference edge assembly	“Staging paper path reference edge assembly removal” on page 4-140

Previous

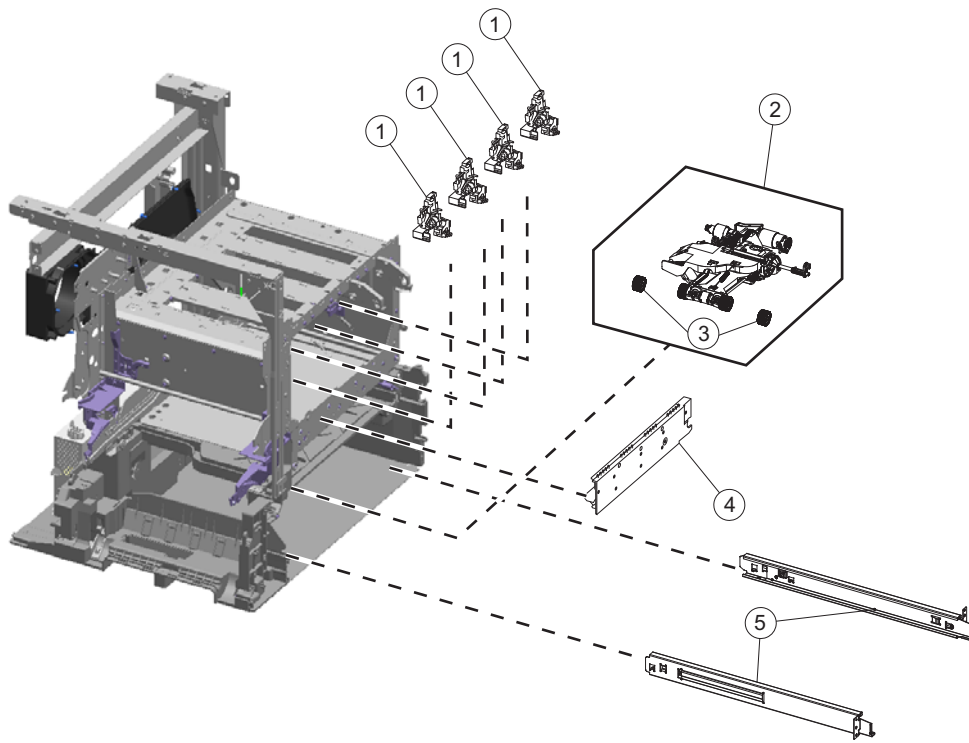


Next



Go Back

Assembly 3.1: Front (continued)



Previous



Next



Go Back

Assembly 3.1: Front (continued)

Index	P/N	Units/ mach	Units/ FRU	Description	Removal procedure
3.1—1	40X7142	4	1	Cartridge memory block with sensor	“Cartridge memory block removal” on page 4-40
2	40X7160	1	1	Paper pick mechanism assembly	“Paper pick mechanism assembly removal” on page 4-118
3	40X6104	2	2	Pick tire roll assembly	“Pick rolls removal” on page 4-120
4	40X7143	4	1	Cartridge contact block assembly	“Cartridge contact block assembly removal” on page 4-38
5	40X7126	1	1	Media tray rails (1 right, 1 left)	“Media tray rail removal” on page 4-89

Previous

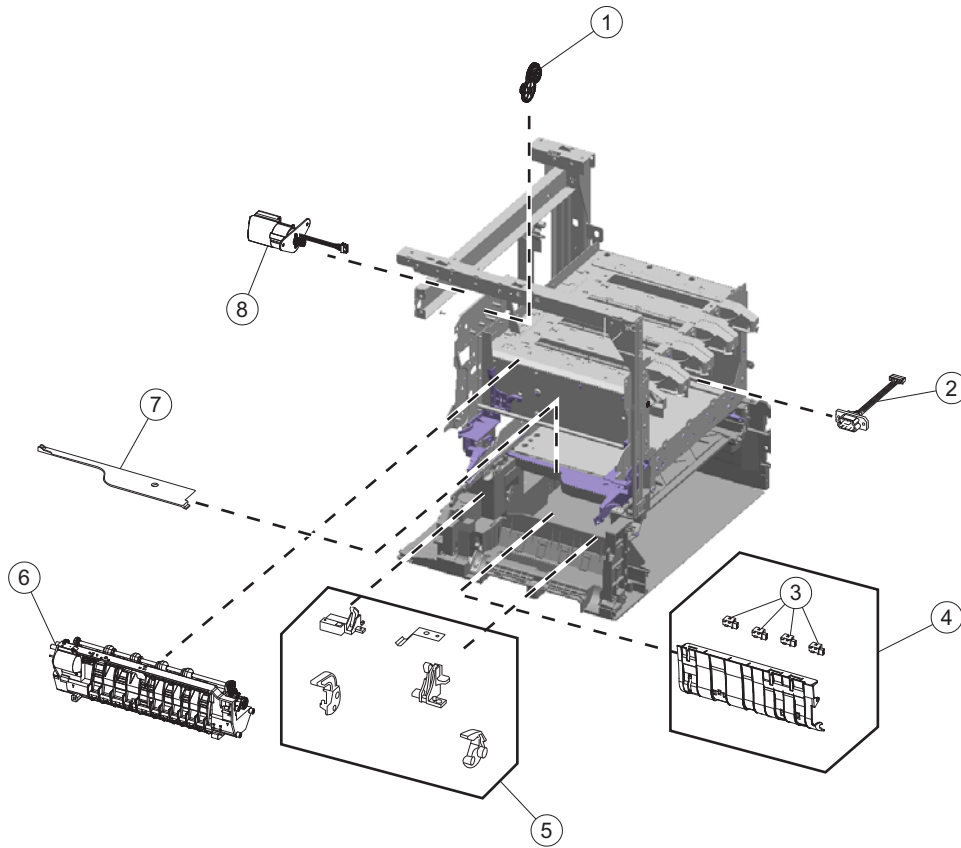


Next



Go Back

Assembly 4: Left



Previous



Next



Go Back

Assembly 4: Left

Index	P/N	Units/ mach	Units/ FRU	Description	Removal procedure
4—1	40X7133	1	1	Redrive parts packet, including <ul style="list-style-type: none"> • Gear thrust washer (2) • Gear—Idler 50T (2) • Gear—64T 22T Compound • Gear—36T 18T Compound 	“Redrive gears removal” on page 4-132
2	40X7166	1	1	ITU autoconnect cable	“ITU autoconnect removal” on page 4-73
3	40X7163			Sensors parts packet, including <ul style="list-style-type: none"> • Waste toner sensors (2) (not shown) • Paper auto size sensor (not shown) • Paper path sensors (input, S1, narrow media, near narrow media) • Bin-full sensor (not shown) 	“Staging deflector assembly removal” on page 4-138
4	40X7146	1	1	Staging deflector assembly with sensors	“Staging deflector assembly removal” on page 4-138
5	40X7172	1	1	Fuser/MPF/autocomp parts packet, including <ul style="list-style-type: none"> • Fuser datum rear bellcrank • Fuser datum front bellcrank • Fuser datum bellcrank spring (2) • Autocomp (ACM) bias spring • MPF rear breakaway support • MPF front breakaway support 	“Datum bell crank removal” on page 4-48 “ACM bias spring removal” on page 4-33 “MPF breakaway assemblies removal” on page 4-95
6	40X7134	1	1	Paper path redrive assembly	“Paper path redrive assembly with sensors removal” on page 4-116
7	40X7164	1	1	Lower frame cable cover	“Lower frame cable cover removal” on page 4-20
8	40X7132	1	1	Redrive motor assembly	“Redrive motor removal” on page 4-133

Previous

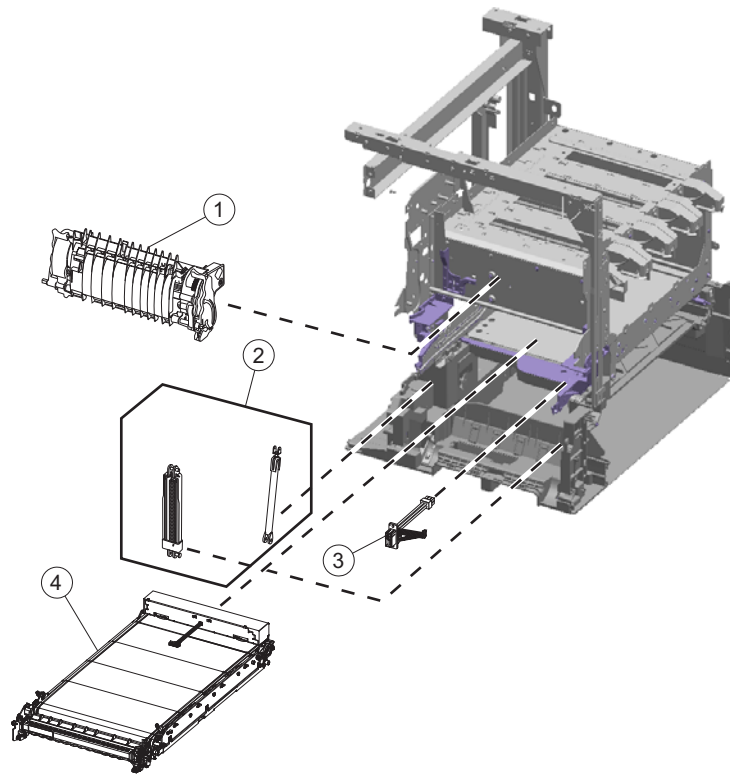


Next



Go Back

Assembly 4.1: Left (continued)



Previous



Next



Go Back

Assembly 4.1: Left (continued)

Index	P/N	Units/ mach	Units/ FRU	Description	Removal procedure
4.1—1	40X7100	1	1	Fuser assembly, 115V	“Fuser assembly removal” on page 4-60
	40X7101			Fuser assembly, 220V	
	40X7102			Fuser assembly, 100V	
2	40X7153	1	1	Left access door pistons parts packet, including <ul style="list-style-type: none"> •Piston clip pin •Left door spring support •Piston housing assembly •Door support anchor pin (3) 	“Left access door piston removal” on page 4-77
3	40X7165	1	1	Fuser system card and LVPS cable with cable ties	“Fuser system card and LVPS cable removal” on page 4-63
4	40X7103	1	1	ITU module assembly	“ITU assembly removal” on page 4-72

Previous

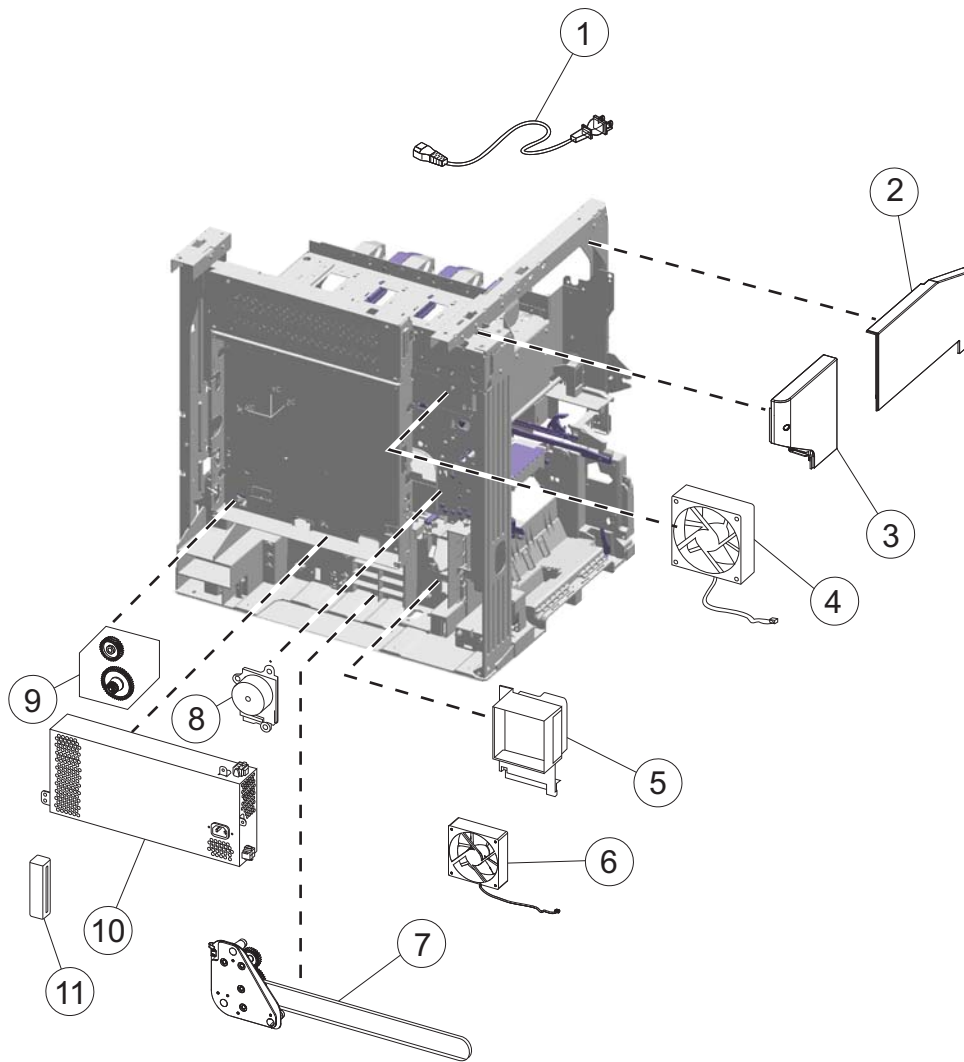


Next



Go Back

Assembly 5: Rear



Previous



Next



Go Back

Assembly 5: Rear

Asm-Index	Part number	Units/mach	Units/FRU	Description	Removal procedure
5—1	40X0269	1	1	Bolivia, Peru (8' ST)	N/A
	40X0270	1	1	Japan (8' ST)	
	40X0271	1	1	UK, Ireland (8' ST)	
	40X0273	1	1	Chile, Uruguay (8' ST)	
	40X0275	1	1	Israel (8' ST)	
	40X0288	1	1	Argentina (8' ST)	
	40X0301	1	1	Australia (8' ST)	
	40X0303	1	1	PRC (8' ST)	
	40X1772	1	1	Switzerland (8' ST)	
	40X1773	1	1	South Africa (8' ST)	
	40X1774	1	1	Denmark (8' ST)	
	40X1791	1	1	Taiwan (2.5 m ST)	
	40X1792	1	1	Korea (2.5 m ST)	
	40X3141	1	1	Europe (8' ST)	
	40X4596	1	1	Brazil (8' ST)	
	40X7104	1	1	U.S., Canada (8' ST)	
40X1766	1	1	U.S. (8" ST)		
40X7229	1	1	India (2.5 m ST)		
2	40X7195	1	1	Scanner left side front cover	“Scanner left side front cover removal” on page 4-214
3	40X7194	1	1	Scanner left side rear cover	“Scanner left side rear cover removal” on page 4-214
4	40X7131	1	1	Main fan	“Main fan removal” on page 4-88
5	40X7128	1	1	LVPS exit duct	“LVPS exit duct removal” on page 4-84
6	40X7129	1	1	LVPS fan	“LVPS fan removal” on page 4-85
7	40X7152	1	1	MPF drive assembly	“MPF drive assembly removal” on page 4-104
8	40X7135	1	1	Fuser drive assembly, including <ul style="list-style-type: none"> • Gear thrust washer • Pick roll tires 	“Fuser drive assembly removal” on page 4-61
9	40X7162	1	1	Waste toner gears parts packet, including <ul style="list-style-type: none"> • Gear—30T Helical • Gear—46T Spur 17T Helical 	“Waste toner gears removal” on page 4-163
10	40X7188	1	1	Low-voltage power supply (LVPS) with thermistor retainer	“Low-voltage power supply (LVPS) removal” on page 4-81
11	40X7219	1	1	Toroid	N/A

Previous

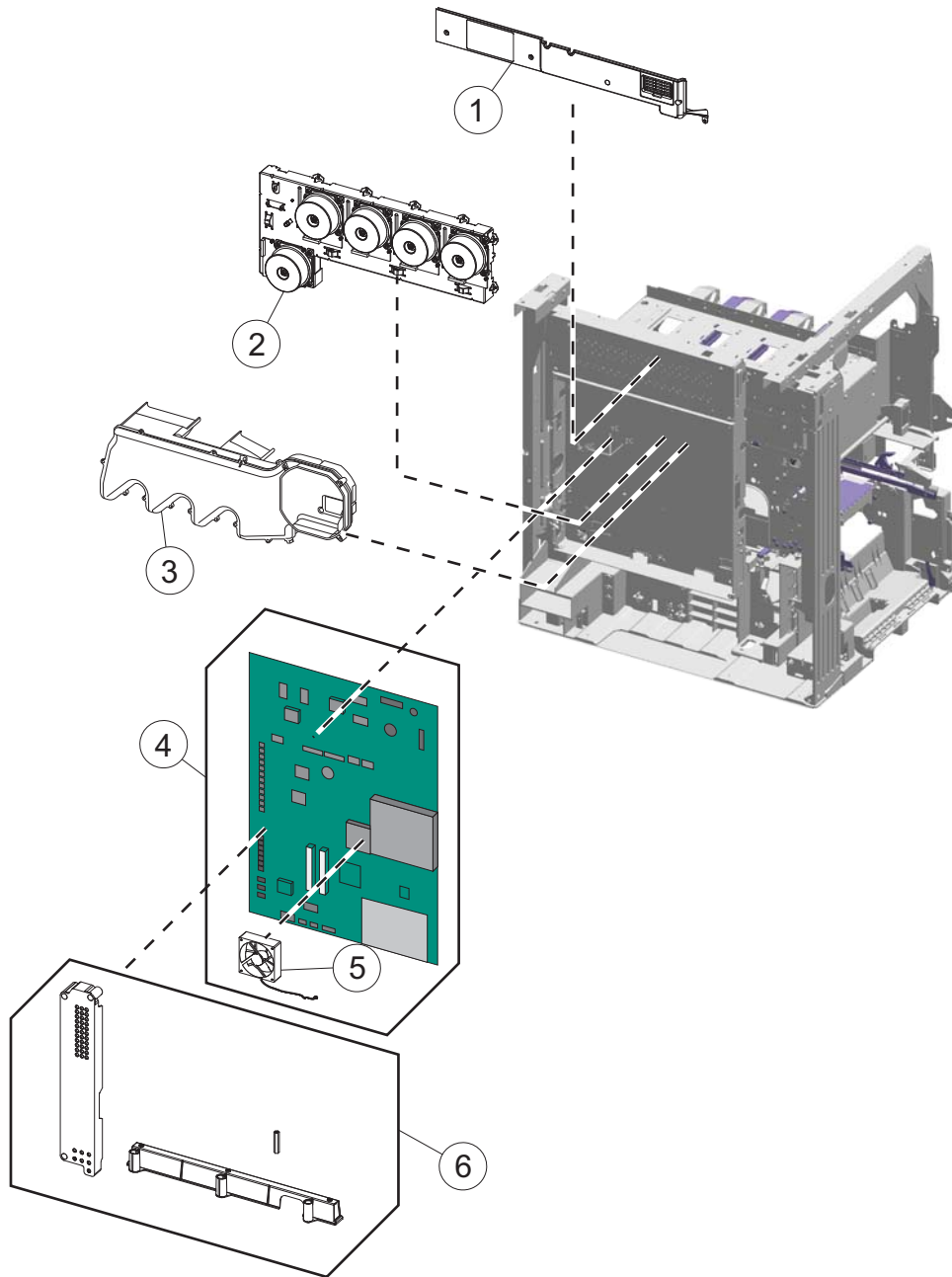


Next



Go Back

Assembly 5.1: Rear (continued)



Previous



Next



Go Back

Assembly 5.1: Rear (continued)

Asm-Index	Part number	Units/mach	Units/FRU	Description	Removal procedure
5.1-1	40X7193	1	1	Scanner rear cover	“Scanner rear cover removal” on page 4-215
2	40X7144	1	1	EP drive assembly	“EP drive assembly removal” on page 4-54
3	40X7155	1	1	Exit cooling duct assembly	“Exit cooling duct removal” on page 4-56
4	40X7187	1	1	System board	“System board removal” on page 4-150
5	40X6501	1	1	CPU cooling fan	“CPU cooling fan removal” on page 4-46
6	40X7140			System board and HVPS card parts packet, including <ul style="list-style-type: none"> •RIP card shield •HVPS standoff •HVPS card standoff 	Step 3 of “Low-voltage power supply (LVPS) removal” on page 4-81 “High-voltage power supply (HVPS) board removal” on page 4-67

Previous



Next



Go Back

Assembly 6: Flatbed scanner

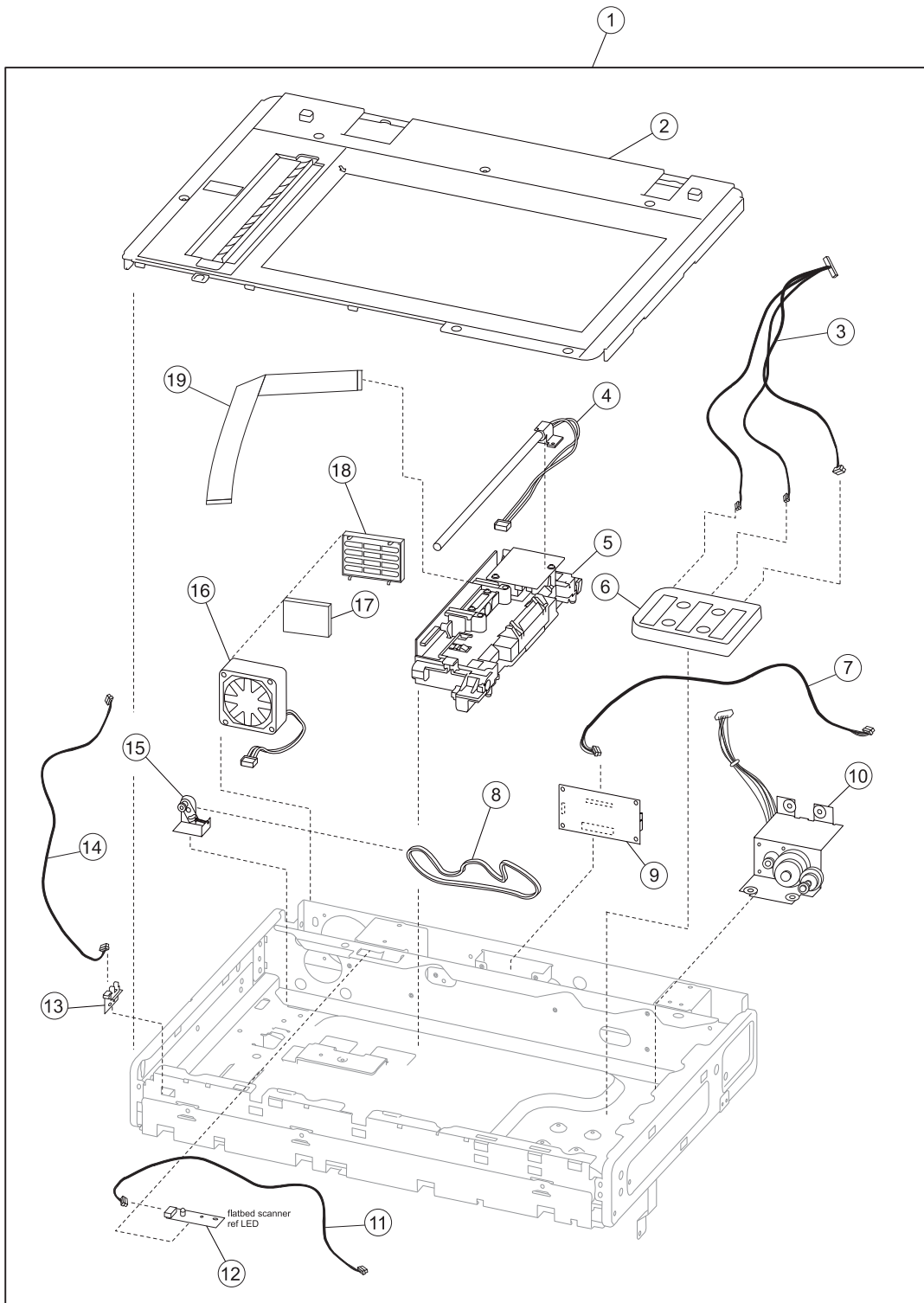
Previous



Next



Go Back



Assembly 6: Flatbed scanner

Asm-index	Part number	Units/mach	Units/FRU	Description	Removal procedure
6—1	40X7200	1	1	Flatbed scanner assembly	“Flatbed scanner assembly removal” on page 4-226
2	40X2642	1	1	Scanner platen glass cover assembly	“Scanner platen glass cover removal” on page 4-234
3	40X4530	1	1	Scanner FB length sensor cable assembly	“Scanner FB length sensor cable removal” on page 4-224
4	40X7201	1	1	Scanner exposure lamp	“Scanner exposure lamp removal” on page 4-222
5	40X7202	1	1	Scanner CCD assembly	“Flatbed scanner CCD assembly removal” on page 4-221
6	40X4534	1	1	Sensor (platen glass length) assembly	“Sensor (platen glass length) removal” on page 4-236
7	40X7203	1	1	Scanner interface card cable assembly	“Scanner interface card removal” on page 4-233
8	40X4523	1	1	Carriage belt	“Carriage drive motor assembly removal” on page 4-218
9	40X7210	1	1	Scanner interface card assembly	“Scanner interface card removal” on page 4-233
10	40X4521	1	1	Carriage drive motor assembly with cable	“Carriage drive motor assembly removal” on page 4-218
11	40X4528	1	1	Scanner reference LED cable assembly	“Scanner reference LED sensor cable removal” on page 4-235
12	40X4532	1	1	Scanner reference LED assembly	“Scanner reference LED removal” on page 4-235
13	40X4524	1	1	Sensor (scanner HP) with bracket	“Sensor (scanner HP) removal” on page 4-238
14	40X4529	1	1	Scanner HP sensor cable assembly	“Sensor cable (scanner HP) removal” on page 4-237
15	40X4522	1	1	Carriage belt tensioner assembly	“Carriage belt tensioner assembly removal” on page 4-217
16	40X4535	1	1	Scanner cooling fan	“Flatbed scanner cooling fan removal” on page 4-220
17	40X4536	1	1	Scanner cooling fan filter	“Flatbed scanner cooling fan filter removal” on page 4-220
18	40X7204	1	1	Scanner filter cover	
19	40X7205	1	1	Scanner CCD ribbon cable	

Previous

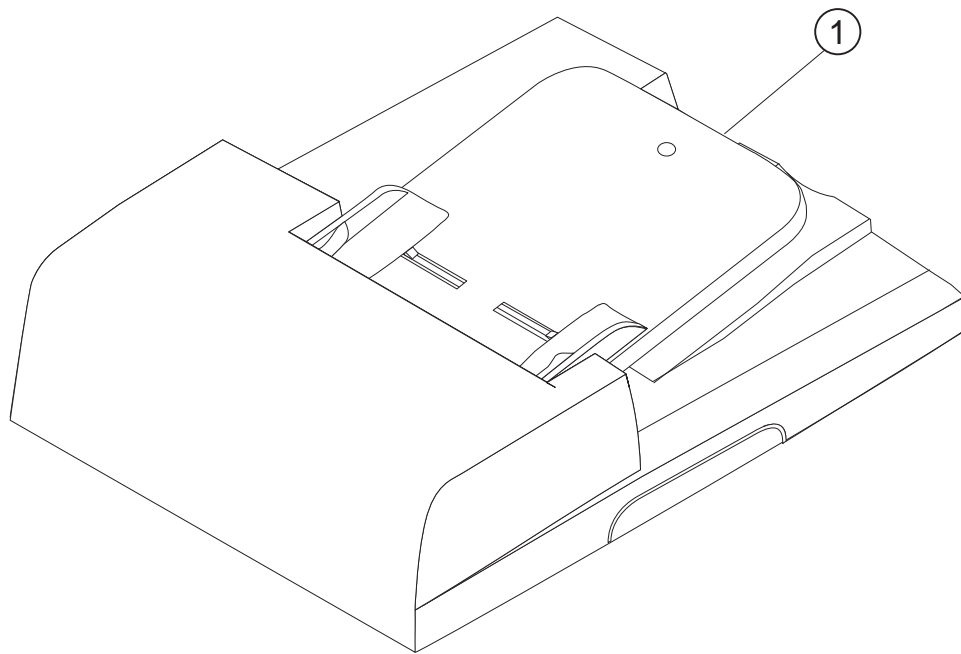


Next



Go Back

Assembly 7: ADF unit assembly



Previous



Next



Go Back

Assembly 7: ADF unit assembly

Asm-index	Part number	Units/mach	Units/FRU	Description	Removal procedure
7—1	40X7206	1	1	ADF unit assembly	“ADF unit assembly removal” on page 4-203

Previous

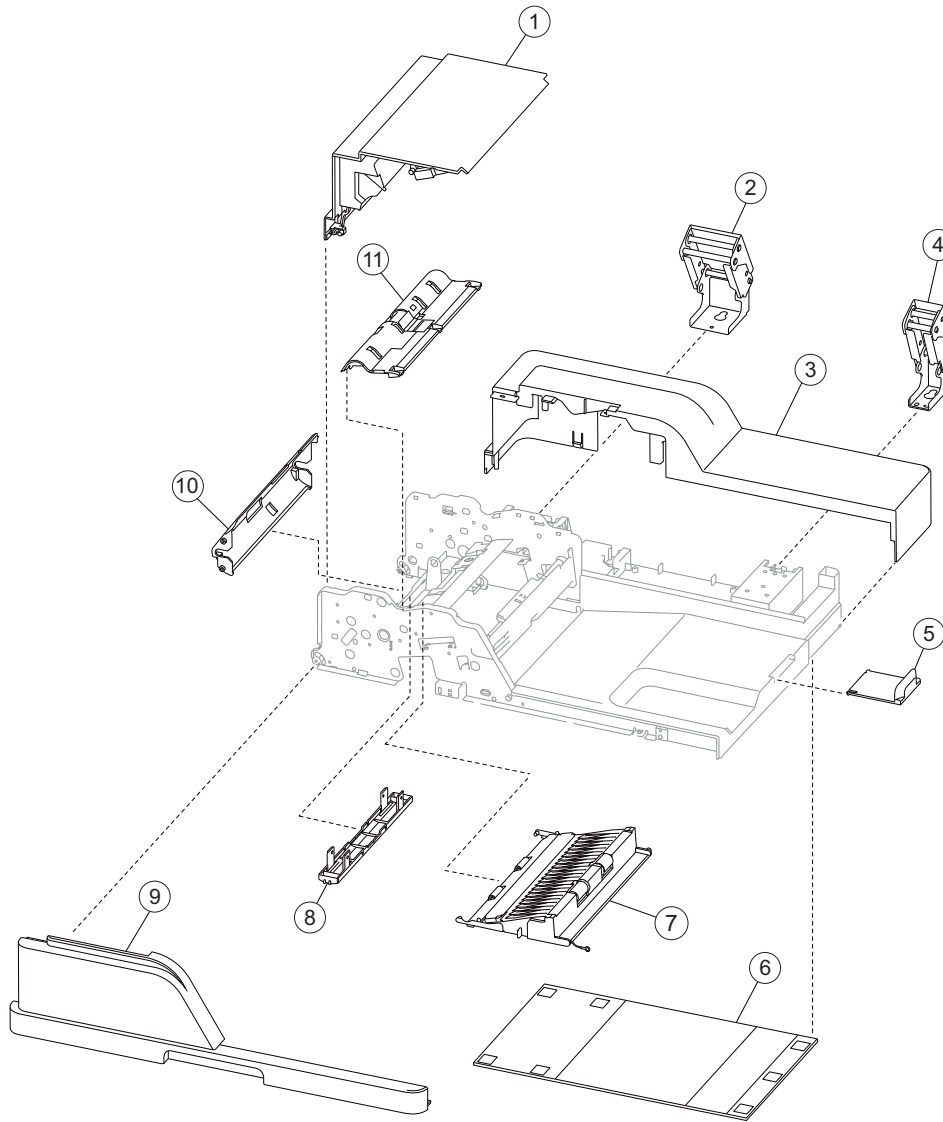


Next



Go Back

Assembly 8: ADF covers



Previous



Next



Go Back

Assembly 8: ADF covers

Asm-index	Part number	Units/mach	Units/FRU	Description	Removal procedure
8—1	40X7207	1	1	ADF top door assembly, including beacon LED	“ADF top door assembly removal” on page 4-171
2	40X7208	1	1	Left hinge assembly	“ADF left hinge removal” on page 4-184
3	40X4539	1	1	ADF rear cover	“ADF rear cover removal” on page 4-171
4	40X4563	1	1	Right hinge assembly	“ADF right hinge removal” on page 4-194
5	40X4564	1	1	Document tray extension	“ADF document tray extension removal” on page 4-175
6	40X7209	1	1	ADF platen cushion	“ADF platen cushion removal” on page 4-193
7	40X3438	1	1	ADF lower door assembly	“ADF lower door assembly removal” on page 4-185
8	40X3445	1	1	Media pinch pad assembly	“ADF media pinch pad assembly removal” on page 4-186
9	40X7212	1	1	ADF front cover	“ADF front cover removal” on page 4-170
10	40X4566	1	1	ADF turn guide	“ADF turn guide removal” on page 4-202
11	40X4562	1	1	Pick pad cover assembly	“ADF pick pad cover assembly removal” on page 4-188

Previous



Next



Go Back

Assembly 9: ADF feed and drive

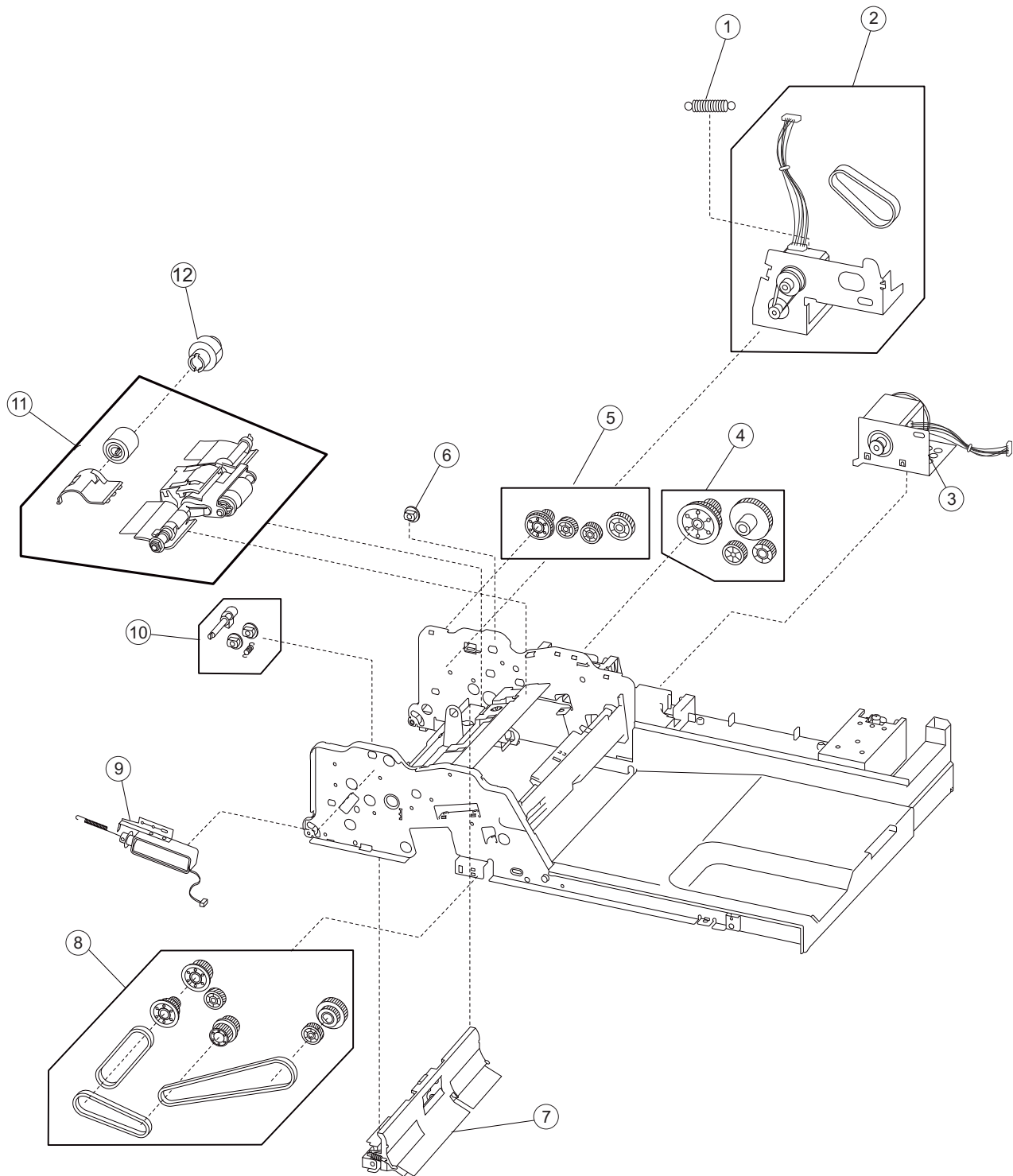
Previous



Next



Go Back



Assembly 9: ADF feed and drive

Asm-index	Part number	Units/mach	Units/FRU	Description	Removal procedure
9—1	40X4545	1	1	Transport drive motor bracket tension spring	“ADF transport drive motor bracket assembly with cable removal” on page 4-200
2	40X7213	1	3	Feed motor assembly with belt and cable	“ADF feed drive motor assembly removal” on page 4-180
3	40X4544	1	1	Transport motor bracket assembly with cable	“ADF transport drive motor bracket assembly with cable removal” on page 4-200
4	40X2759	1	4	Transport drive gear and pulley kit, rear	“ADF transport drive gears (rear) and pulley removal” on page 4-199
5	40X2749	1	4	Feed one-way bearing and gear kit	“ADF feed 1-way bearing and gears removal” on page 4-180
6	40X2750	1	1	Bushing, 6 mm	“ADF pick roll position cam assembly removal” on page 4-189
7	40X4542	1	1	Pinch roll assembly	“ADF pinch roll assembly removal” on page 4-192
8	40X2760	1	9	Transport drive gear, pulley, and belt kit, front	“ADF transport drive gears (front) removal” on page 4-197
9	40X4548	1	1	ADF solenoid assembly	“ADF solenoid assembly removal” on page 4-196
10	40X2761	1	4	Pick roll position cam assembly	“ADF pick roll position cam assembly removal” on page 4-189
11	40X7220	1	1	ADF feed / pick roll assembly, including ADF separator roll and guide	“ADF feed/pick roll assembly removal” on page 4-183 “ADF separator roll removal” on page 4-194
12	40X7214	1	1	Torque limiter	“ADF separator torque limiter assembly removal” on page 4-195

Previous



Next



Go Back

Assembly 10: ADF electronics

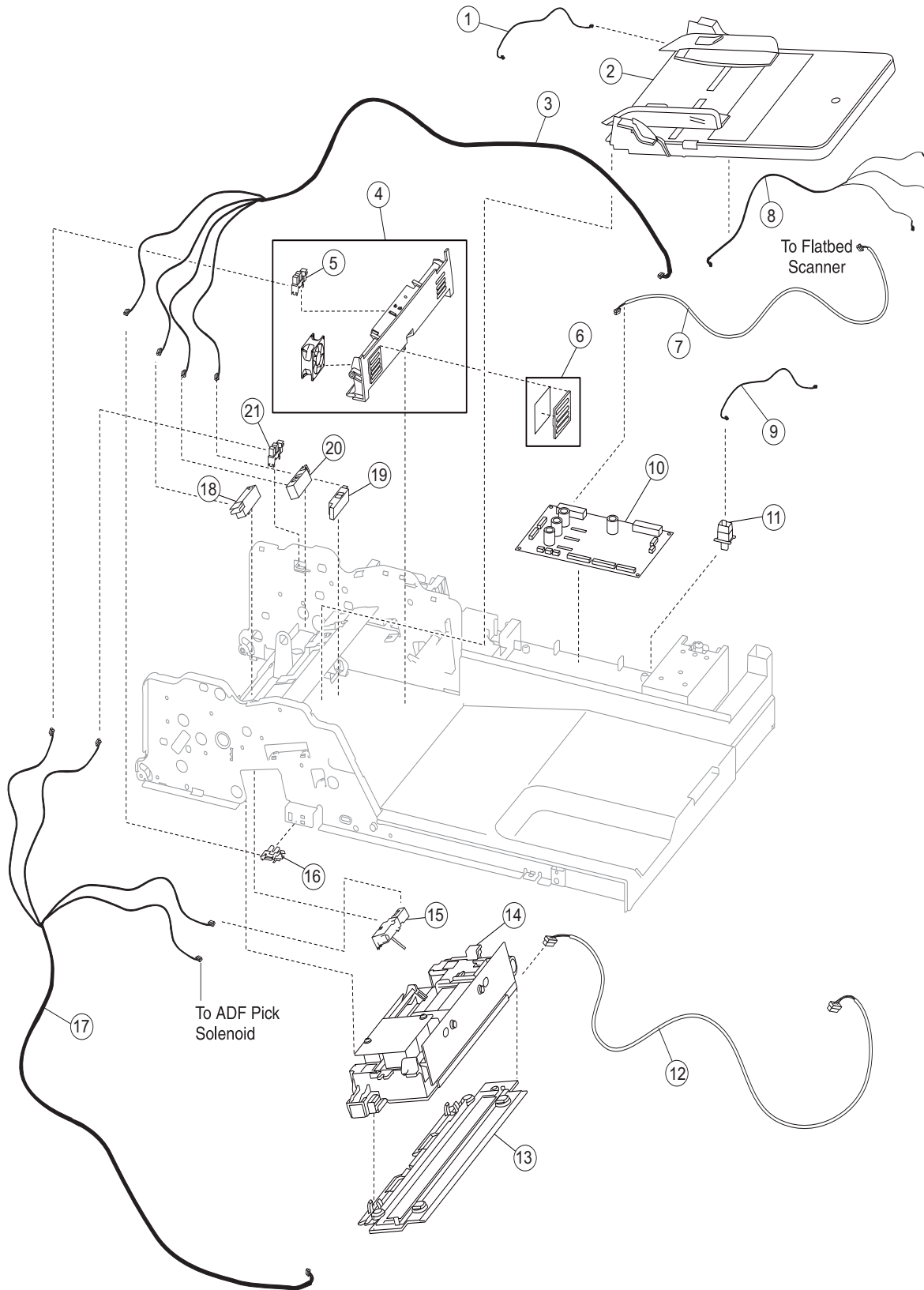
Previous



Next



Go Back



Assembly 10: ADF electronics

Asm-index	Part number	Units/mach	Units/FRU	Description	Removal procedure
10—1	40X4559	1	1	ADF tray length cable assembly	
2	40X7215	1	1	ADF document tray assembly	“ADF document tray assembly removal” on page 4-174
3	40X4558	1	1	ADF sensor cable assembly	
4	40X4607	1	1	Sensor (ADF media exit) bracket assembly with fan	“Sensor (ADF media exit) fan bracket assembly removal” on page 4-208
5	40X4549	1	1	Sensor (ADF media exit)	
6	40X4608	1	1	ADF filter and cover	
7	40X4556	1	1	ADF interface cable assembly	
8	40X7218	1	1	ADF beacon LED cable	“ADF beacon cable removal” on page 4-173
9	40X4557	1	1	ADF closed interlock switch cable assembly	“Switch (ADF closed interlock) removal” on page 4-210
10	40X7216	1	1	ADF controller card assembly	“ADF controller card removal” on page 4-174
11	40X4554	1	1	Switch (ADF closed interlock)	“Switch (ADF closed interlock) removal” on page 4-210
12	40X4555	1	1	Duplex CCD interface cable assembly	“ADF duplex CCD assembly removal” on page 4-176
13	40X4565	1	1	ADF duplex CCD scan glass assembly	“ADF duplex CCD scan glass assembly removal” on page 4-179
14	40X7217	1	1	ADF duplex CCD assembly	“ADF duplex CCD assembly removal” on page 4-176
15	40X2762	1	1	Sensor (ADF 2nd scan)	“Sensor (ADF 2nd scan) removal” on page 4-205
16	40X4549	1	1	Sensor (ADF lower door interlock)	“Sensor (ADF lower door interlock) removal” on page 4-207
17	40X4560	1	1	ADF exit sensor cable	
18	40X4550	1	1	Sensor (ADF 1st scan)	“Sensor (ADF 1st scan) removal” on page 4-205
19	40X4551	1	1	Sensor (ADF document set)	“Sensor (ADF document set) removal” on page 4-206
20	40X4550	1	1	Sensor (ADF sheet through)	“Sensor (ADF sheet through) removal” on page 4-209
21	40X4549	1	1	Sensor (ADF top door interlock)	“Sensor (ADF top door interlock) removal” on page 4-209

Previous

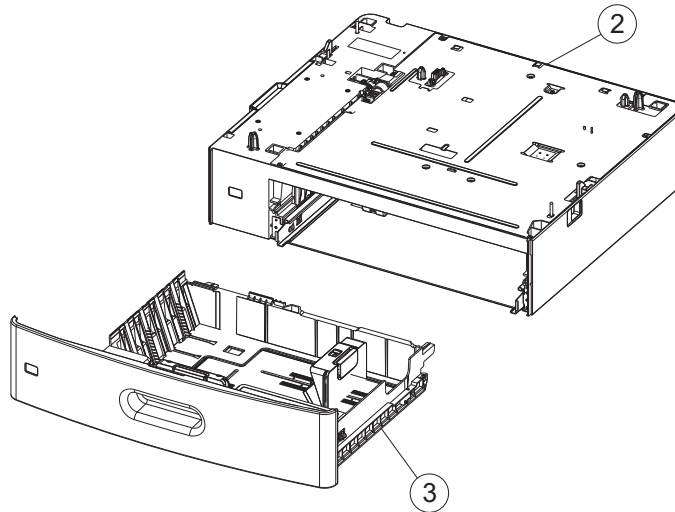
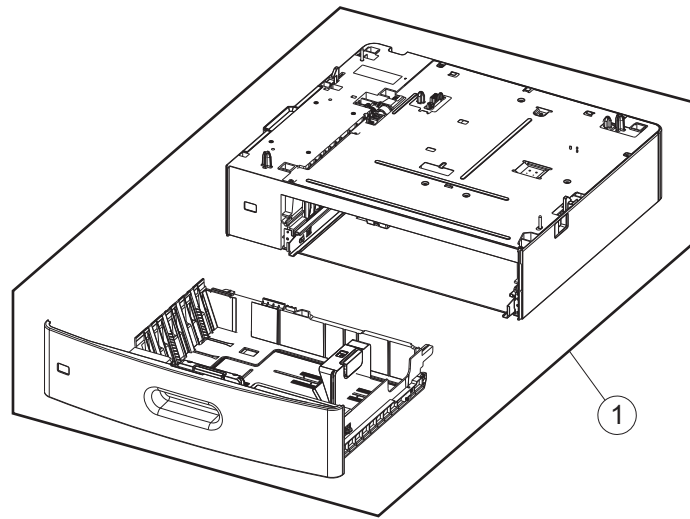


Next



Go Back

Assembly 11: Optional 550-sheet tray



Previous



Next



Go Back

Assembly 11: Optional 550-sheet tray

Index	P/N	Units/ opt	Units/ FRU	Description	Removal procedure
11—1	40X6967	1	1	550-sheet tray option	N/A
2	40X6102	1	1	550-sheet drawer assembly	“550-sheet drawer assembly removal” on page 4-239
3	40x6099	1	1	550-sheet media tray assembly	“550-sheet media tray assembly removal” on page 4-240

Previous

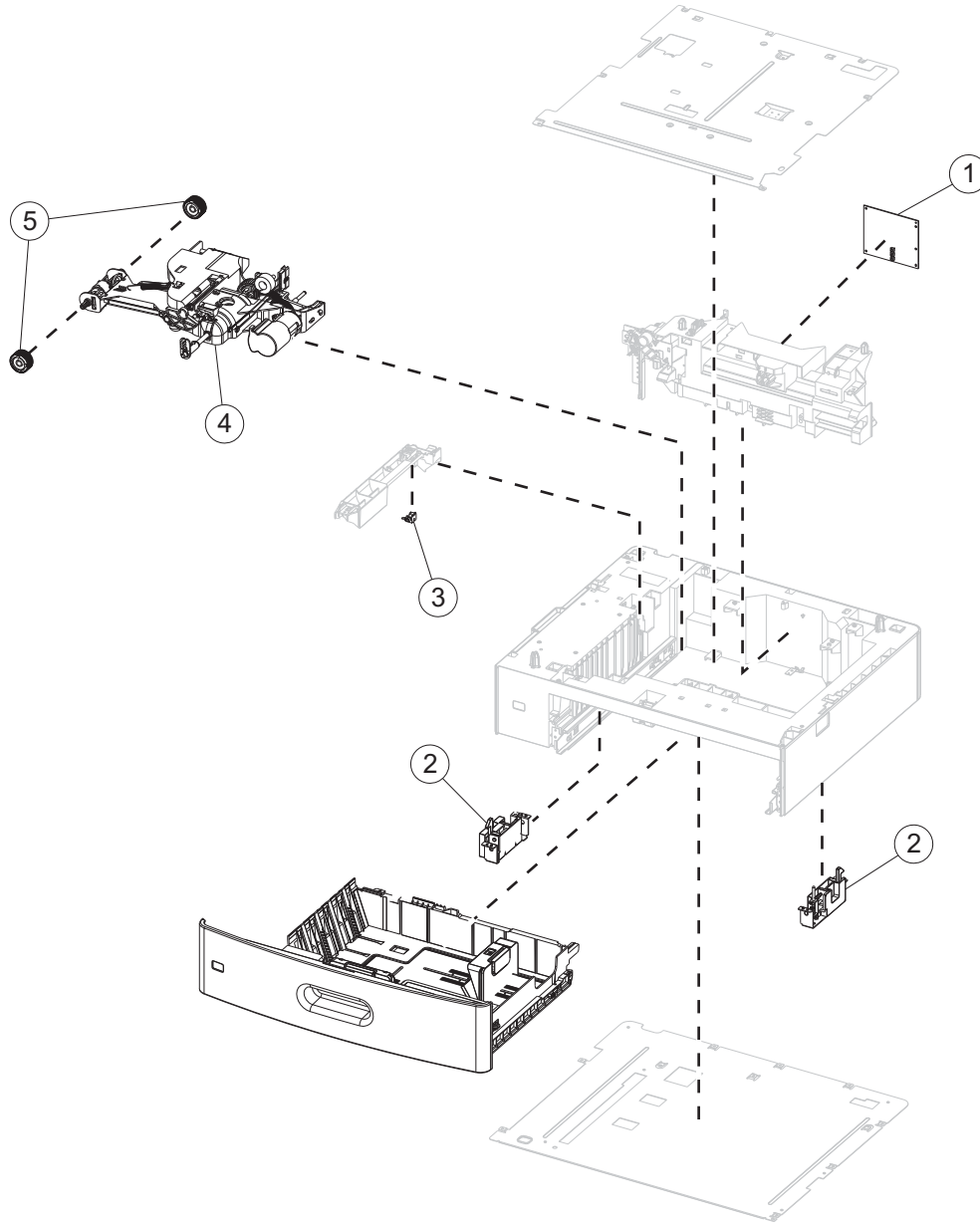


Next



Go Back

Assembly 12: Optional 550-sheet drawer assembly



Previous



Next



Go Back

Assembly 12: Optional 550-sheet drawer assembly

Index	P/N	Units/ opt	Units/ FRU	Description	Removal procedure
12—1	40X6100	1	1	550-sheet tray controller card assembly	“550-sheet tray controller card assembly removal” on page 4-241
2	40X6101	2	2	Anti-tip latch assembly	“550-sheet tray left anti-tip latch removal” on page 4-247 and “550-sheet tray right anti-tip latch assembly removal” on page 4-256
3	40X6274	1	3	550-sheet/2000-sheet input option sensor pack	“550-sheet tray pass thru sensor removal” on page 4-249
4	40X6103	1	1	550-sheet tray pick assembly	“550-sheet tray pick assembly removal” on page 4-250
5	40X6104	2	2	Pick roll assembly	“550-sheet tray pick roll assembly removal” on page 4-254

Previous

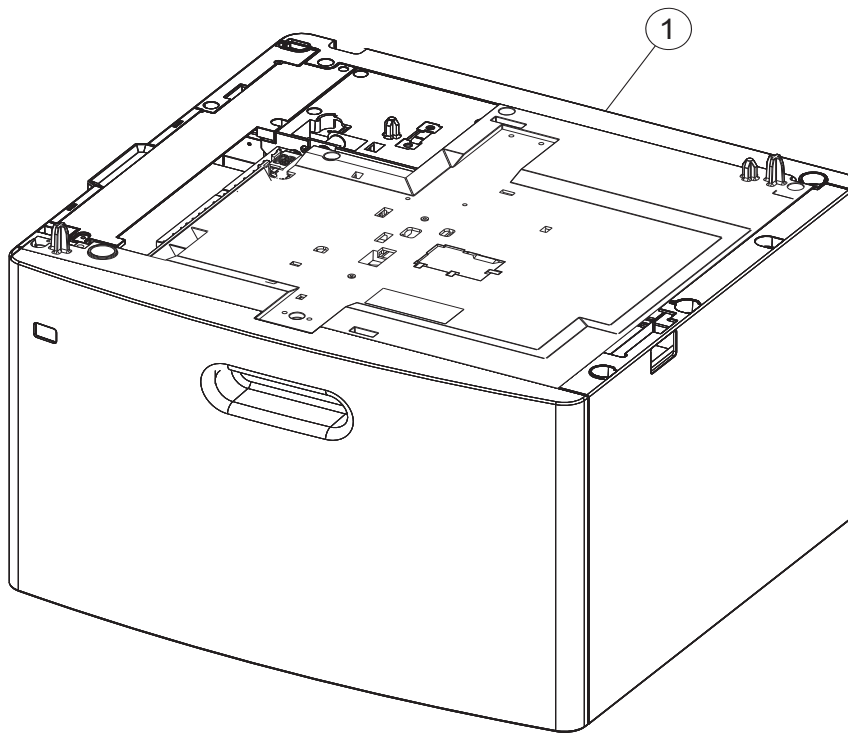


Next



Go Back

Assembly 13: Optional 2000-sheet high-capacity feeder (complete)



Previous



Next



Go Back

Assembly 13: Optional 2000-sheet high-capacity feeder (complete)

Index	P/N	Units/ opt	Units/ FRU	Description	Removal procedure
13—1	40X6968	1	1	2000-sheet high-capacity feeder media tray option	N/A

Previous

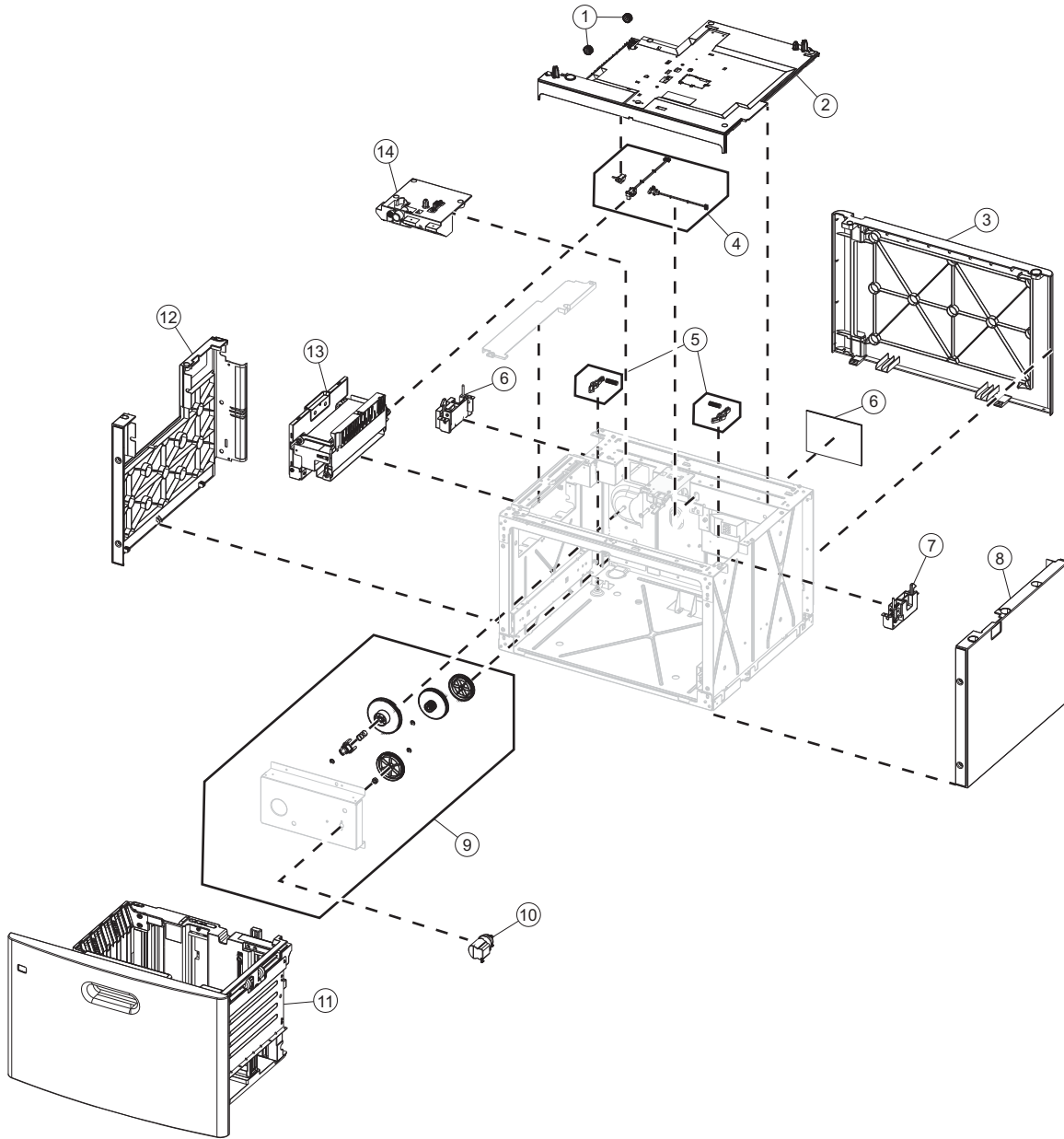


Next



Go Back

Assembly 14: Optional 2000-sheet high-capacity feeder



Previous



Next



Go Back

Assembly 14: Optional 2000-sheet high-capacity feeder

Index	P/N	Units/ opt	Units/ FRU	Description	Removal procedure
14—1	40X6275	2	2	2000-sheet high-capacity feeder pick roll assembly	“2000-sheet high-capacity feeder pick roll assembly removal” on page 4-301
2	40X6119	1	1	2000-sheet high-capacity feeder pick assembly	“2000-sheet high-capacity feeder pick assembly removal” on page 4-295
3	40X6972	1	1	2000-sheet high-capacity feeder rear cover	“2000-sheet high-capacity feeder rear cover removal” on page 4-304
4	40X6274	3	3	550-sheet/2000-sheet input option sensor pack	“2000-sheet high-capacity feeder pass thru sensor removal” on page 4-293 and “2000-sheet high-capacity feeder elevator home sensor removal” on page 4-264 and “2000-sheet high-capacity feeder jam door clearance sensor removal” on page 4-274
5	40X4585	2	1	Tray latch	“2000-sheet high-capacity feeder bellcrank assembly removal” on page 4-259
6	40X6276	1	1	2000-sheet high-capacity feeder controller card assembly	“2000-sheet high-capacity feeder controller card assembly removal” on page 4-260
7	40X6101	2	2	Anti-tip latch assembly	“2000-sheet high-capacity feeder left anti-tip latch assembly removal” on page 4-278 and “2000-sheet high-capacity feeder right anti-tip latch assembly removal” on page 4-306
8	40X6971	1	1	2000-sheet high-capacity feeder right cover	“2000-sheet high-capacity feeder right side cover removal” on page 4-308
9	40X6486	1	1	2000-sheet high-capacity feeder lift drive gear pack	“2000-sheet high-capacity feeder lift drive gear assembly removal” on page 4-282
10	40X6969			2000-sheet high-capacity feeder lift drive motor assembly	“2000-sheet high-capacity feeder lift drive motor assembly removal” on page 4-289
11	40X6115	1	1	2000-sheet high-capacity feeder media tray assembly	“2000-sheet high-capacity feeder media tray assembly removal” on page 4-292
12	40X6970	1	1	2000-sheet high-capacity feeder left cover	“2000-sheet high-capacity feeder left side cover removal” on page 4-280
13	40X6118	1	1	2000-sheet high-capacity feeder jam clearance cover	“2000-sheet high-capacity feeder jam clearance cover removal” on page 4-268
14	40X6116	1	1	2000-sheet high-capacity feeder drive assembly	“2000-sheet high-capacity feeder drive assembly removal” on page 4-261

Previous



Next



Go Back

Assembly 15: Finisher/High-capacity output stacker assembly

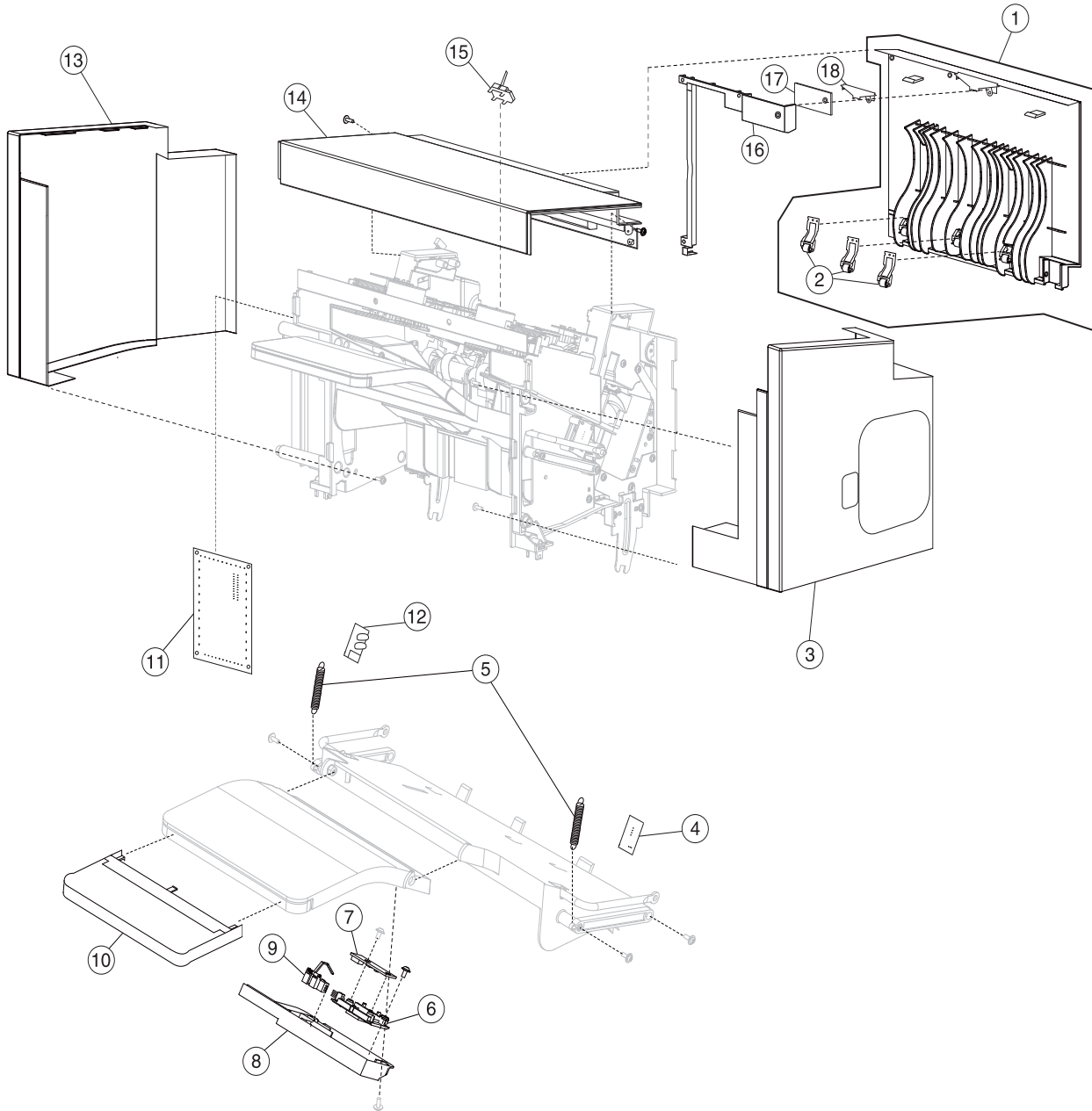
Previous



Next



Go Back



Assembly 15: Finisher /High-capacity output stacker assembly

Asm-Index	Part number	Units/mach	Units/FRU	Description	Removal procedure
15—1	40X7234	1	1	Left access door assembly	“Finisher or stacker left access door assembly removal” on page 4-339
2	40X7238	1	1	Backup redrive roller	“Finisher or stacker feed roller removal” on page 4-336
3	40X7231	1	1	Finisher rear cover	“Finisher or stacker rear cover removal” on page 4-346
3	40X7252	1	1	Stacker rear cover	“Finisher or stacker rear cover removal” on page 4-346
4	40X5544	1	1	Sensor (bin full receive)	“Finisher or stacker sensor (bin-full receive) removal” on page 4-348
5	40X7240	1	1	Finisher bin-full spring	“Finisher or stacker bin-full spring removal” on page 4-333
6	40X5727	1	1	LED clear lens	“Finisher or stacker standard output bin LED and LED lens removal” on page 4-355
7	40X5545	1	1	Standard output bin LED	“Finisher or stacker standard output bin LED and LED lens removal” on page 4-355
8	40X7239	1	1	Bottom cover	“Finisher or stacker bottom cover removal” on page 4-334
9	40X4618	1	1	Sensor (bin media present)	“Finisher or stacker sensor (finisher bin media present) removal” on page 4-350
10	40X4619	1	1	Output bin extension	“Finisher or stacker output bin extension removal” on page 4-343
11	40X7241	1	1	Finisher controller card assembly	“Finisher or stacker controller card assembly removal” on page 4-335
11	40X7253	1	1	Stacker controller card assembly	“Finisher or stacker controller card assembly removal” on page 4-335
12	40X4626	1	1	Sensor (bin full send)	“Finisher or stacker sensor (bin-full send) removal” on page 4-349
13	40X7232	1	1	Front cover	“Finisher or stacker front cover removal” on page 4-337
14	40X7233	1	1	Top cover	“Finisher or stacker top cover removal” on page 4-359
15	40X5906	1	1	Finisher sensor (pass thru)/Stacker sensor (pass thru)	“Finisher or stacker sensor (pass thru) removal” on page 4-352
16	40X7237	1	1	Beacon housing	“Finisher or stacker access door beacon LED and beacon housing removal” on page 4-332
17	40X4528	1	1	Left access beacon	“Finisher or stacker access door beacon LED and beacon housing removal” on page 4-332
18	40X7236	1	1	Beacon clear lens	“Finisher or stacker left access door assembly removal” on page 4-339

Previous



Next



Go Back

Assembly 15.1: Finisher /High-capacity output stacker assembly (continued)

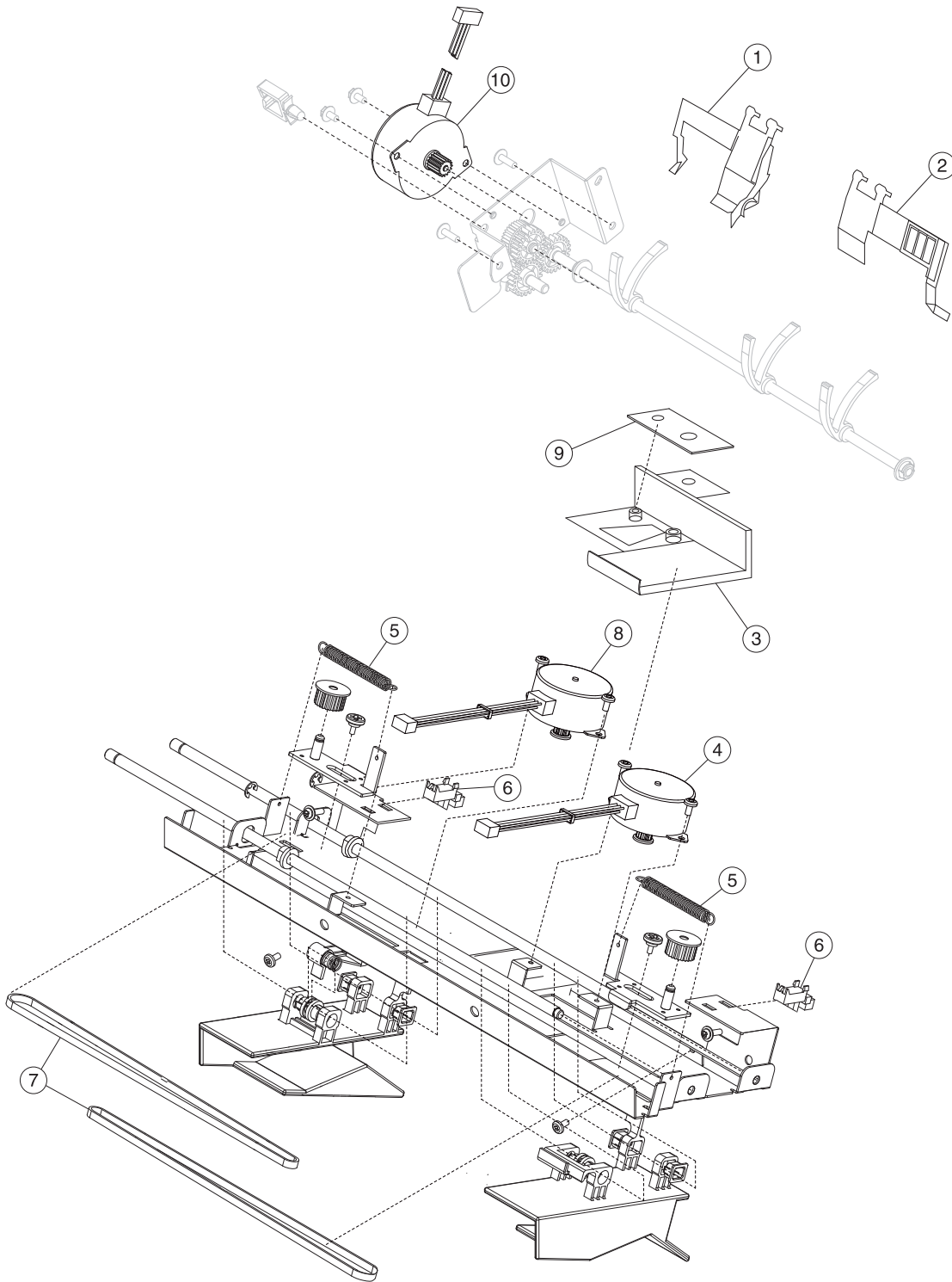
Previous



Next



Go Back



Assembly 15.1: Finisher/High-capacity output stacker assembly (continued)

Asm-Index	Part number	Units/mach	Units/FRU	Description	Removal procedure
15.1—1	40X7244	1	1	Rear media stack flap	“Finisher or stacker media stack flap and media stack flap actuator removal” on page 4-341
2	40X7245	1	1	Front media stack flap	“Finisher or stacker media stack flap and media stack flap actuator removal” on page 4-341
3	40X7243	1	1	LED clear lens	“Finisher or stacker standard output bin LED and LED lens removal” on page 4-355
4	40X4622	1	1	Rear tamper motor assembly	“Finisher or stacker tamper drive motor assembly removal” on page 4-357
5	40X4624	1	1	Tamper recoil spring	“Finisher or stacker tamper recoil spring removal” on page 4-358
6	40X5909	1	1	Sensor (tamper front and rear paddle)	“Finisher or stacker sensor (paddle HP) removal” on page 4-351
7	40X4623	1	1	Tamper drive belt	“Finisher or stacker tamper drive belt removal” on page 4-356
8	40X4621	1	1	Front tamper motor assembly	“Finisher or stacker tamper drive motor assembly removal” on page 4-357
9	40X5545	1	1	Output beacon card	“Finisher or stacker output bin LED and LED lens removal” on page 4-343
10	40X4615	1	1	Paddle drive motor	“Finisher or stacker paddle drive motor assembly removal” on page 4-345

Previous

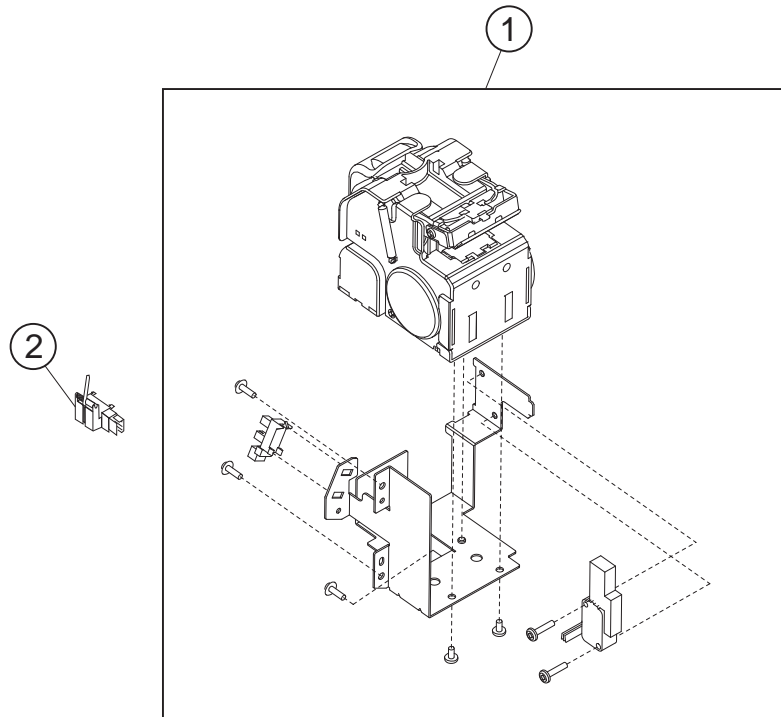


Next



Go Back

Assembly 16: Finisher stapler assembly



Previous



Next



Go Back

Assembly 16: Finisher stapler assembly

Asm-Index	Part number	Units/mach	Units/FRU	Description	Removal procedure
16—1	40X7246	1	1	Stapler assembly	“Finisher stapler unit assembly removal” on page 4-360
2	40X5909	1	1	Sensor (media in stapler)	“Finisher or stacker sensor (pass thru) removal” on page 4-352

Previous

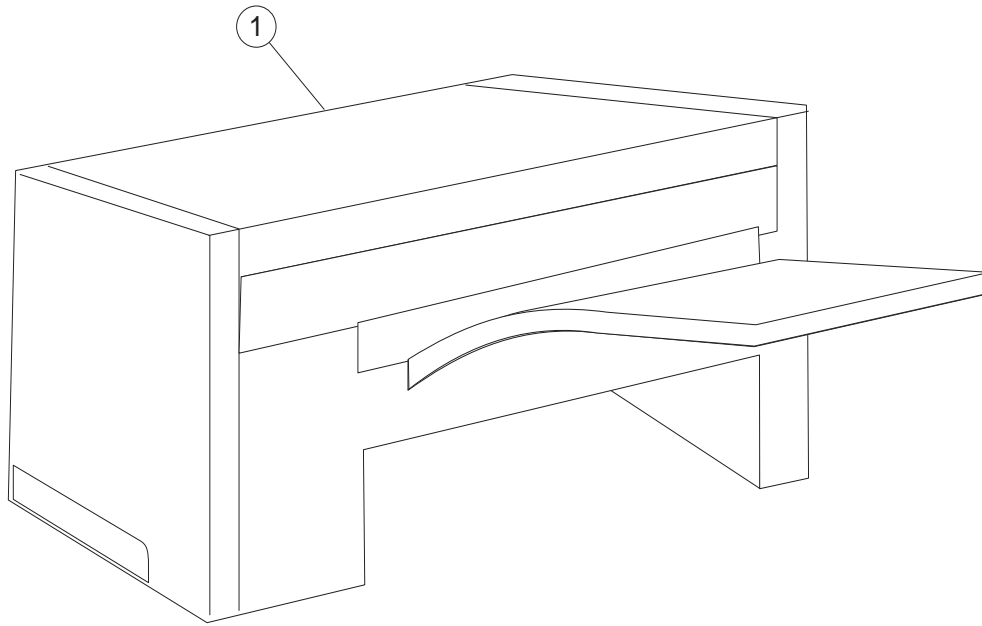


Next



Go Back

Assembly 17: Finisher/Stacker assembly (complete)



Previous



Next



Go Back

Assembly 17: Finisher/Stacker assembly (complete)

Asm-Index	Part number	Units/mach	Units/FRU	Description	Removal procedure
18—1	40X7230	1	1	Finisher assembly	N/A
18—1	40X7251	1	1	Stacker assembly	N/A

Previous

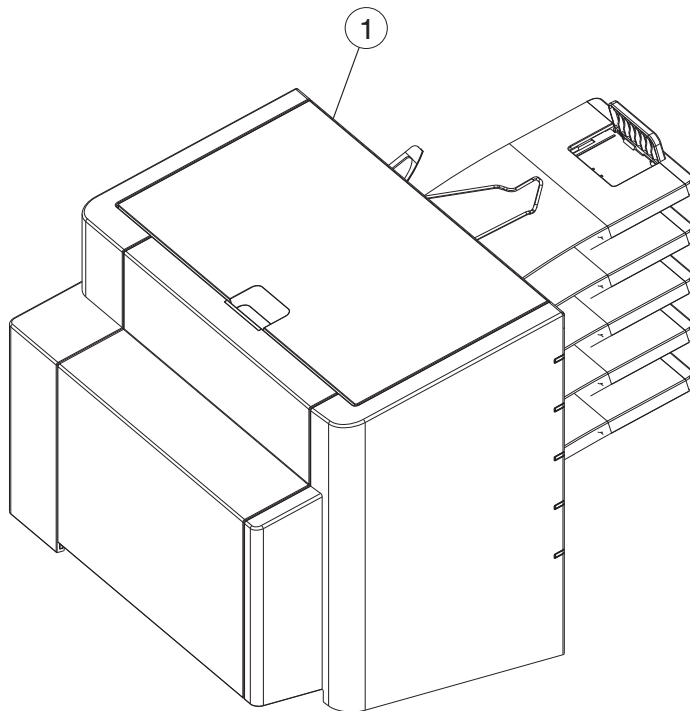


Next



Go Back

Assembly 18: 5-bin mailbox assembly (complete)



Previous



Next



Go Back

Assembly 18: 5-bin mailbox assembly (complete)

Index	P/N	Units/ mach	Units/ FRU	Description	Removal procedure
19—1	40X7254	1	1	5-bin mailbox total option	N/A

Previous

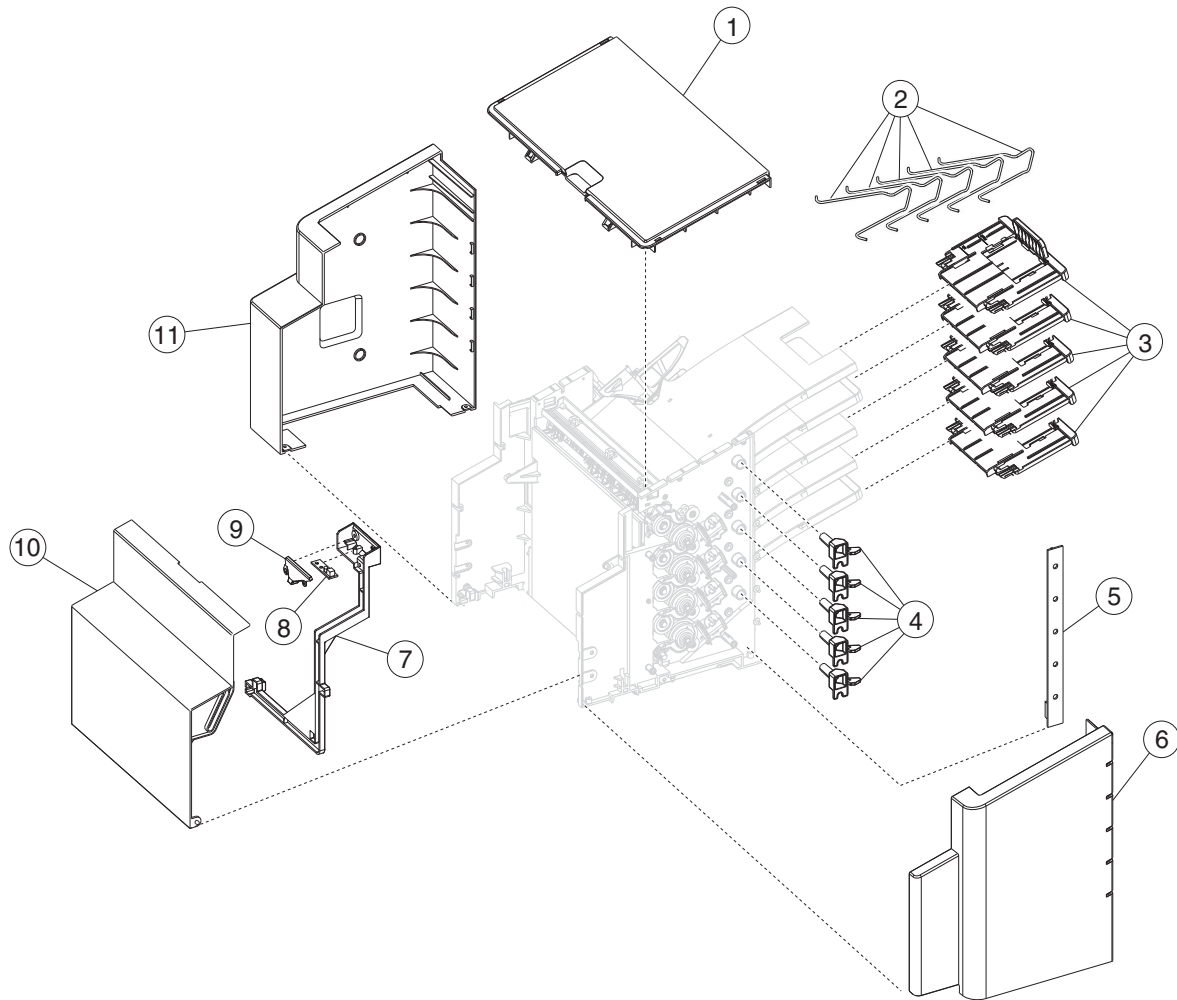


Next



Go Back

Assembly 19: 5-bin mailbox assembly (covers)



Previous



Next



Go Back

Assembly 19: 5-bin mailbox assembly (covers)

Index	P/N	Units/ mach	Units/ FRU	Description	Removal procedure
19—1	40X7272	1	1	Top cover	“5-bin mailbox top cover removal” on page 4-330
2	40X7266	1	1	Output bin paper bail	“5-bin mailbox output bin paper bail removal” on page 4-324
3	40X7267	1	1	Output bin extension cover	“5-bin mailbox tray extension removal” on page 4-331
4	40X7257	1	1	Output bin light pipe	“5-bin mailbox bin-full beacon card and light pipe removal” on page 4-313
5	40X7256	1	1	LED card assembly	“5-bin mailbox bin-full beacon card and light pipe removal” on page 4-313
6	40X7255	1	1	Front cover	“5-bin mailbox front cover removal” on page 4-319
7	40X7261	1	1	LED jam cover	“5-bin mailbox access door removal” on page 4-310
8	40X4528	1	1	Scanner reference LED cable assembly	“5-bin mailbox paper jam beacon removal” on page 4-326
9	40X7236	1	1	Beacon clear lens	“5-bin mailbox paper jam beacon removal” on page 4-326
10	40X7259	1	1	Jam access door assembly	“5-bin mailbox access door removal” on page 4-310
11	40X7270	1	1	Rear cover	“5-bin mailbox rear cover removal” on page 4-327

Previous

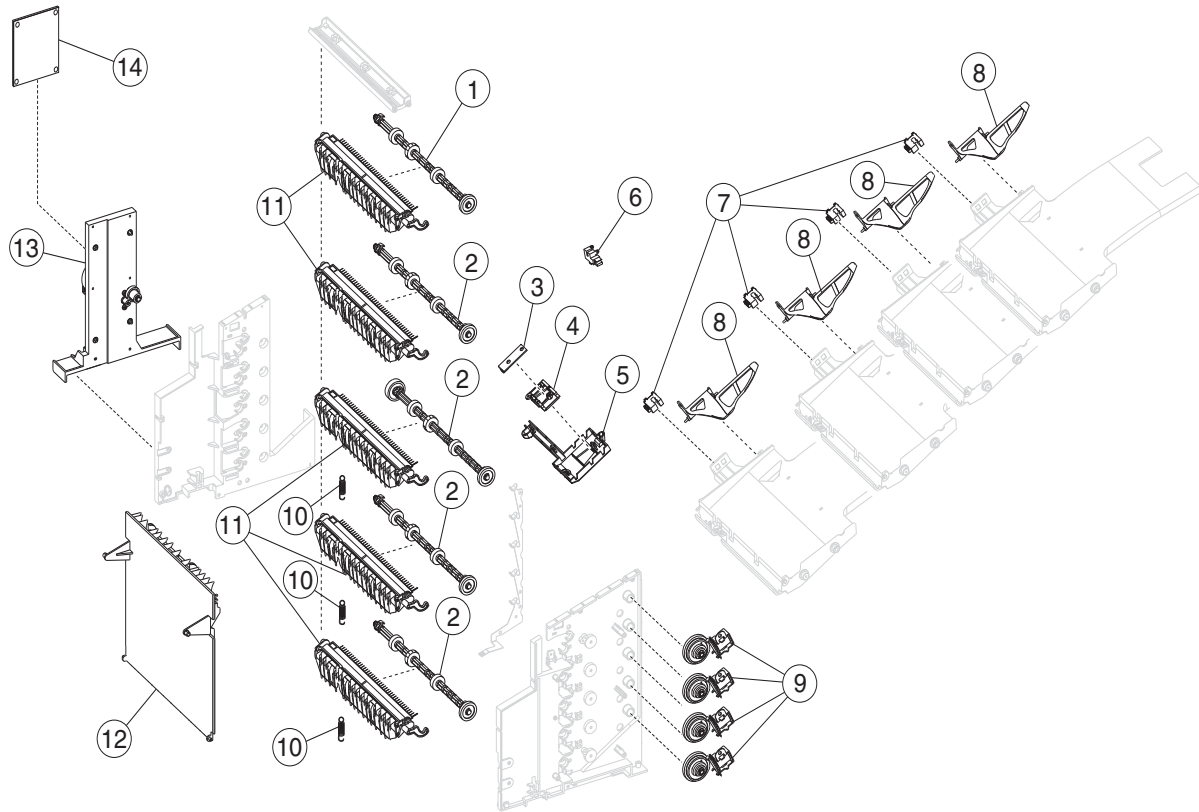


Next



Go Back

Assembly 20: 5-bin mailbox assembly (interior)



Previous



Next



Go Back

Assembly 20: 5-bin mailbox assembly (interior)

Index	P/N	Units/ mach	Units/ FRU	Description	Removal procedure
20—1	40X7263	1	1	Top output bin roller	“5-bin mailbox roller removal” on page 4-328
2	40X7264	1	1	1 thru 4 output bin roller	“5-bin mailbox roller removal” on page 4-328
3	40X5545	4	1	Output bin LED	“5-bin mailbox cave beacon removal” on page 4-314
4	40X5727	1	1	LED clear lens	“5-bin mailbox cave beacon removal” on page 4-314
5	40X4647	1	1	Output bin LED bracket	“5-bin mailbox cave beacon removal” on page 4-314
6	40X7265	1	1	Pasthru sensor	“5-bin mailbox sensor (pass thru) assembly removal” on page 4-329
7	40X4633	1	1	Bin full sensor	“5-bin mailbox output bin sensors removal” on page 4-325
8	40X7268	1	1	Bin full flag	“5-bin mailbox media bin full actuator removal” on page 4-321
9	40X4635	4	1	Deflector gate solenoid	“5-bin mailbox diverter solenoid removal” on page 4-316
10	40X5750	4	1	Diverter spring	“5-bin mailbox diverter spring removal” on page 4-317
11	40X7262	5	1	Output bin deflector	“5-bin mailbox output bin deflector removal” on page 4-323
12	40X7260	1	1	Backup roll plate	“5-bin mailbox backup roll plate assembly removal” on page 4-312
13	40X7269	1	1	Feed motor with bracket	“5-bin mailbox feed motor with plate removal” on page 4-318
14	40X7271	1	1	Controller card	“5-bin mailbox controller card removal” on page 4-315

Previous

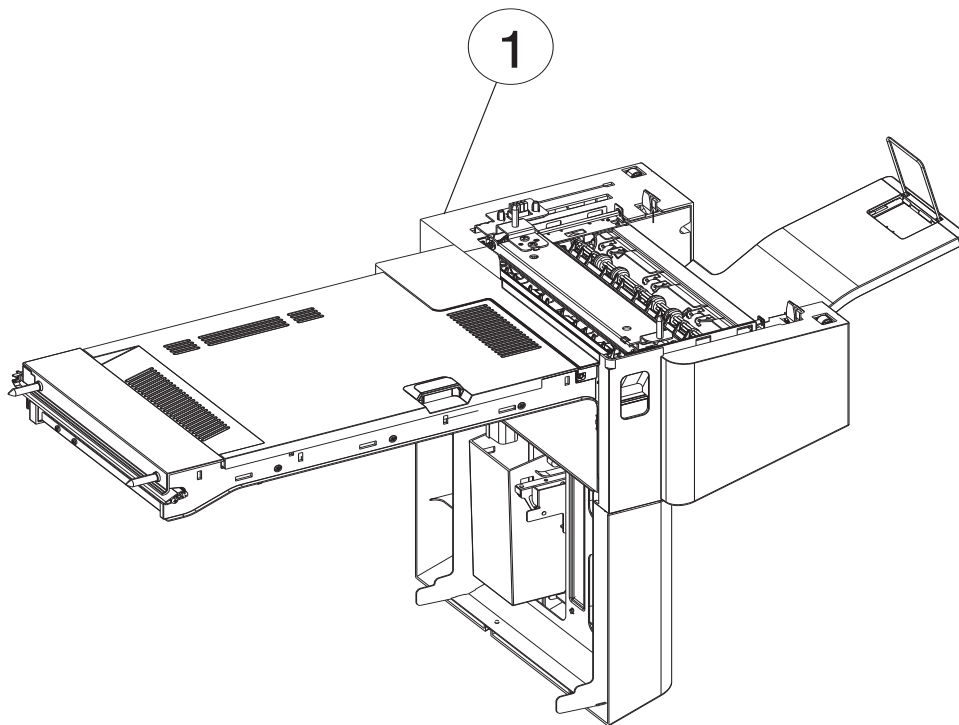


Next



Go Back

Assembly 21: HTU (complete)



Previous



Next



Go Back

Assembly 21: HTU (complete)

Index	P/N	Units/ mach	Units/ FRU	Description	Removal procedure
21—1	40X7275	1	1	Redrive unit, total asm	N/A

Previous

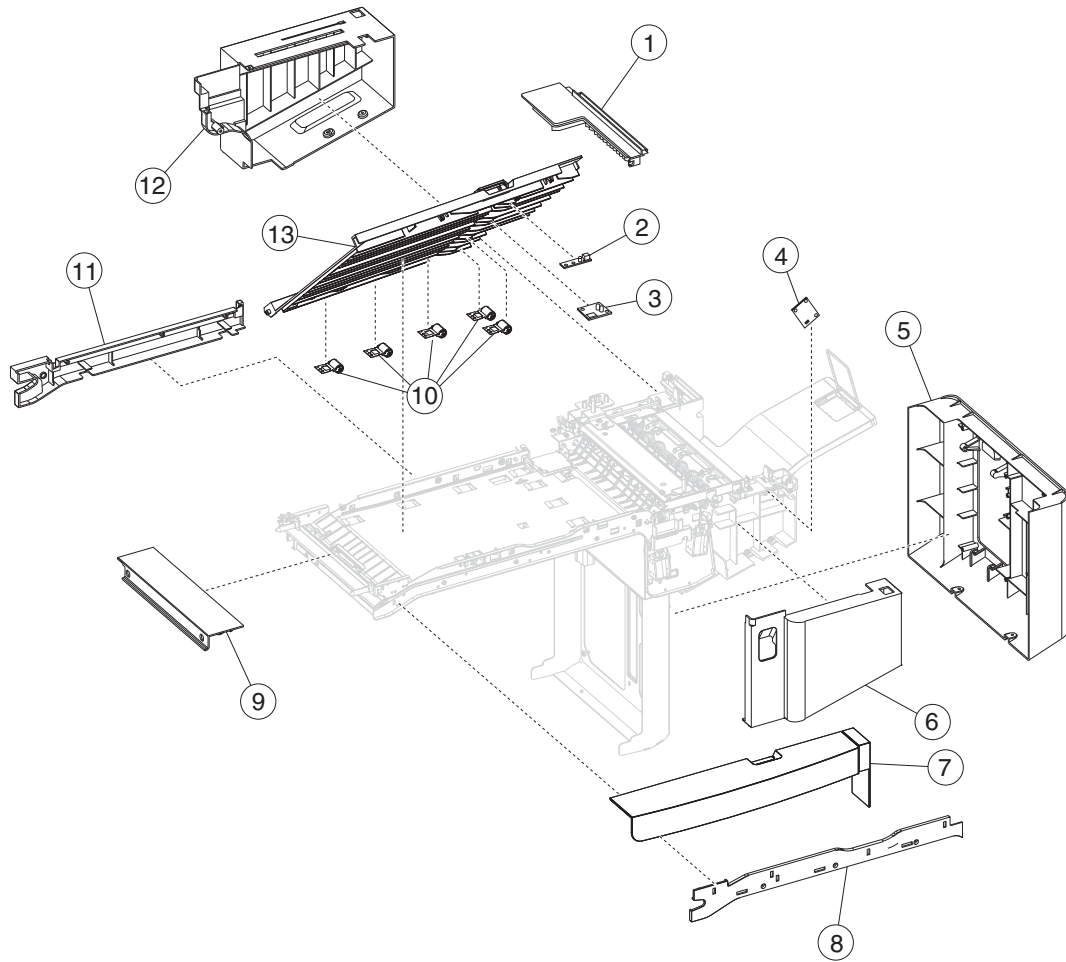


Next



Go Back

Assembly 22: HTU (covers)



Previous



Next



Go Back

Assembly 22: HTU (covers)

Index	P/N	Units/ mach	Units/ FRU	Description	Removal procedure
22—1	40X7287	1	1	HTU top right cover	“HTU top right cover removal” on page 4-411
2	40X4528			HTU access door beacon card	“HTU access door paper jam beacon (with cover and cable) removal” on page 4-362
3	40X5544	1	1	Receive PCBA (transparency detect)	“HTU access door paper jam beacon (with cover and cable) removal” on page 4-362
4	40X5544	1	1	Receive PCBA (bin full)	“HTU card (bin-full send card and lens) removal” on page 4-368
5	40X7285	1	1	HTU right bottom cover	“HTU right bottom cover removal” on page 4-397
6	40X7280	1	1	HTU front standard bin cover	“HTU front standard bin cover removal” on page 4-374
7	40X7274	1	1	HTU outer front cover (AIO only)	“HTU outer front cover removal (AIO only)” on page 4-391
8	40X7279	1	1	HTU front redrive cover	“HTU front redrive cover removal” on page 4-373
9	40X7286	1	1	HTU top redrive cover	“HTU top redrive cover removal” on page 4-410
10	40X7277	5	2	HTU access door rollers	“HTU access door rollers removal” on page 4-363
11	40X7258	1	1	HTU rear redrive cover	“HTU rear redrive cover removal” on page 4-392
12	40X7283	1	1	HTU rear standard bin cover	“HTU rear standard bin cover removal” on page 4-394
13	40X7276	1	1	HTU access door	“HTU access door removal” on page 4-361

Previous

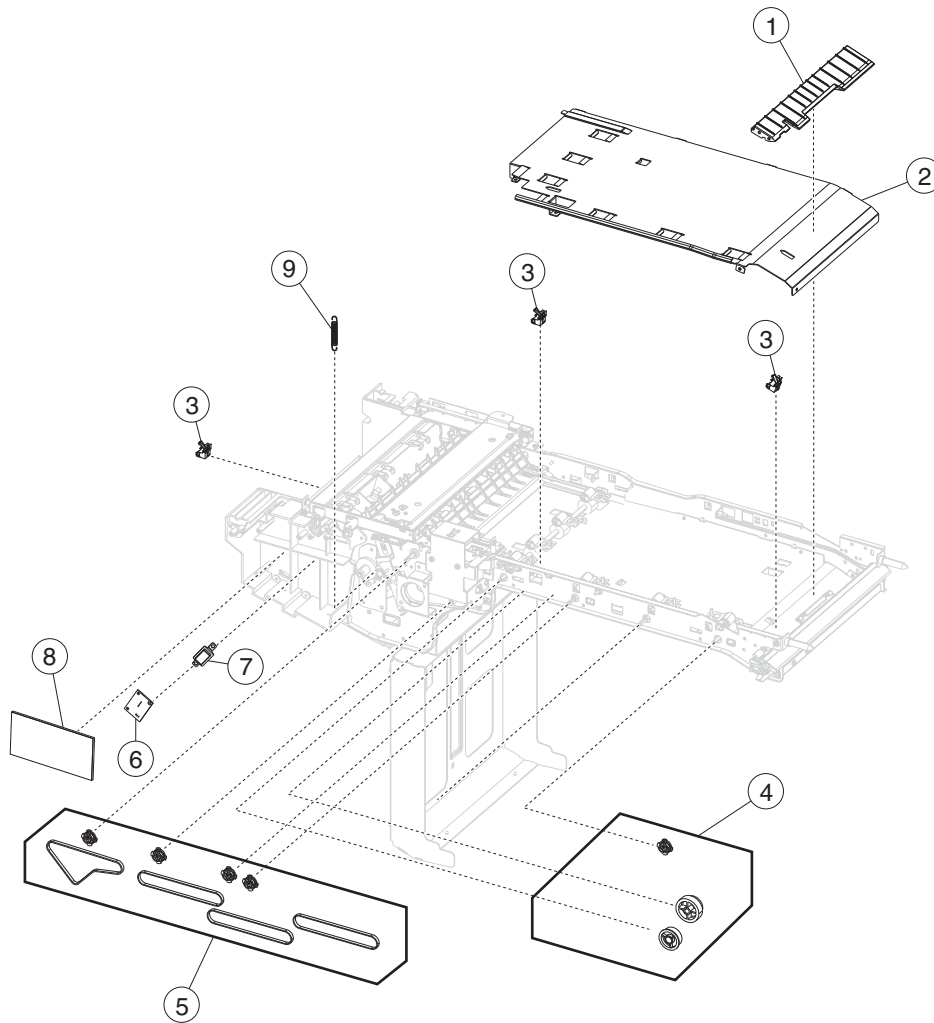


Next



Go Back

Assembly 23: HTU (left interior)



Previous



Next



Go Back

Assembly 23: HTU (left interior)

Index	P/N	Units/ mach	Units/ FRU	Description	Removal procedure
18—1	40X7305	1	1	HTU upper redrive guide	“HTU upper guide removal” on page 4-415
2	40X7312	1	1	HTU lower redrive guide	“HTU lower redrive guide removal” on page 4-377
3	40X7314	3	1	HTU input sensor HTU 2nd sensor HTU output sensor	“HTU sensor (input) removal” on page 4-404 “HTU sensor (second) removal” on page 4-406 “HTU output sensor removal” on page 4-391
4	40X7324	1	1	Drive motor gears parts pkt <ul style="list-style-type: none"> • M6 e-clip • 4 mm e-clip • Redrive pulley • Pulley gear • Idler roller7 	“HTU transport gear removal” on page 4-412
5	40X7288	1	1	HTU belts/pulley parts pkt	“HTU drive belt removal” on page 4-370 and “HTU timing belts (rear) removal” on page 4-408
6	40X4626	1	1	HTU bin full send card	“HTU card (bin-full send card and lens) removal” on page 4-368
7	40X7315	2	1	HTU bin full send/rec lens	“HTU card (bin-full receive card and lens) removal” on page 4-367
8	40X7302	1	1	HTU controller card	“HTU controller card removal” on page 4-369
9	40X7316	1	1	HTU drive gear spring	“HTU drive gear spring removal” on page 4-371

Previous

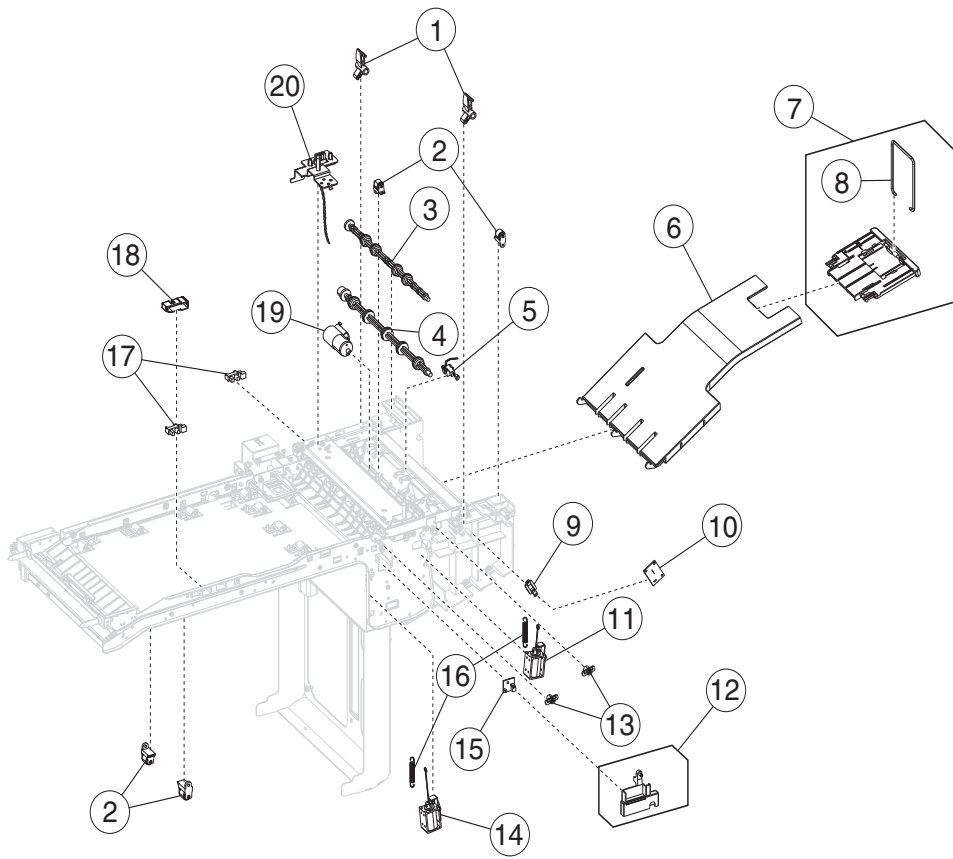


Next



Go Back

Assembly 24: HTU (right interior)



Previous



Next



Go Back

Assembly 24: HTU (right interior)

Index	P/N	Units/ mach	Units/ FRU	Description	Removal procedure
19—1	40X7304	2	1	HTU output option with spring hook •Spring torsion hook front	“HTU option hook removal” on page 4-380
2	40X7303	4	2	HTU (engage/output option) roller	“HTU engagement roller removal” on page 4-372 and “HTU option roller removal” on page 4-382
3	40X7319	1	1	HTU upper exit shaft	“HTU upper exit shaft removal” on page 4-414
4	40X7318	1	1	HTU exit roller	“HTU exit roller removal” on page 4-373
5	40X4618	1	1	HTU empty bin sensor	“HTU sensor (empty bin) removal” on page 4-403
6	40X7307	1	1	HTU output bin	“HTU output bin removal” on page 4-383
7	40X7306	1	1	HTU output bin extension	“HTU output bin extension removal” on page 4-384
8	40X7308	1	1	HTU output bin stop	“HTU output bin wire stop removal” on page 4-386
9	40X7315	2	1	HTU bin full send/receive lens	“HTU card (bin-full receive card and lens) removal” on page 4-367
10	40X5544	1	1	HTU bin full receive PCBA	“HTU card (bin-full receive card and lens) removal” on page 4-367
11	40X7310	1	1	HTU output bin divert solenoid	“HTU output bin solenoid removal” on page 4-385
12	40X7281	1	1	HTU locking lever	“HTU locking lever removal” on page 4-375
13	40X7311	1	1	HTU stop diverter	“HTU stopper diverter removal” on page 4-407
14	40X7309	1	1	HTU output option diverter solenoid	“HTU output option solenoid removal” on page 4-390
15	40X7282	1	1	HTU locking lever PCBA	“HTU locking lever card removal” on page 4-377
16	40X7300	2	1	HTU diverter gate spring	“HTU bin diverter gate spring removal” on page 4-365 and “HTU bin media exit spring removal” on page 4-366
17	40X7313	2	1	HTU access door sensor HTU output option position sensor	“HTU sensor (access door interlock) removal” on page 4-402 “HTU sensor (output option position) removal” on page 4-405
18	40X7278	1	1	HTU sensor housing	“HTU sensor (access door interlock) removal” on page 4-402
19	40X7317	1	1	HTU transport motor	“HTU transport motor removal” on page 4-413
20	40X7284	1	1	HTU output option guide	“HTU output option guide removal” on page 4-389

Previous

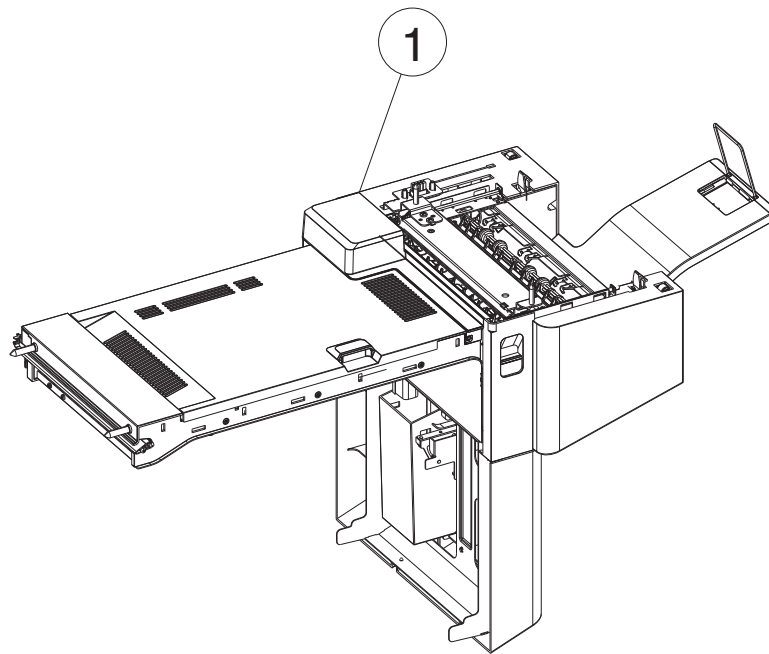


Next



Go Back

Assembly 25: HTU with hole punch (complete)



Previous



Next



Go Back

Assembly 25: HTU with hole punch (complete)

Index	P/N	Units/ mach	Units/ FRU	Description	Removal procedures
25-1	40X7235	1	1	Redrive unit with hole punch, total assembly	N/A

Previous

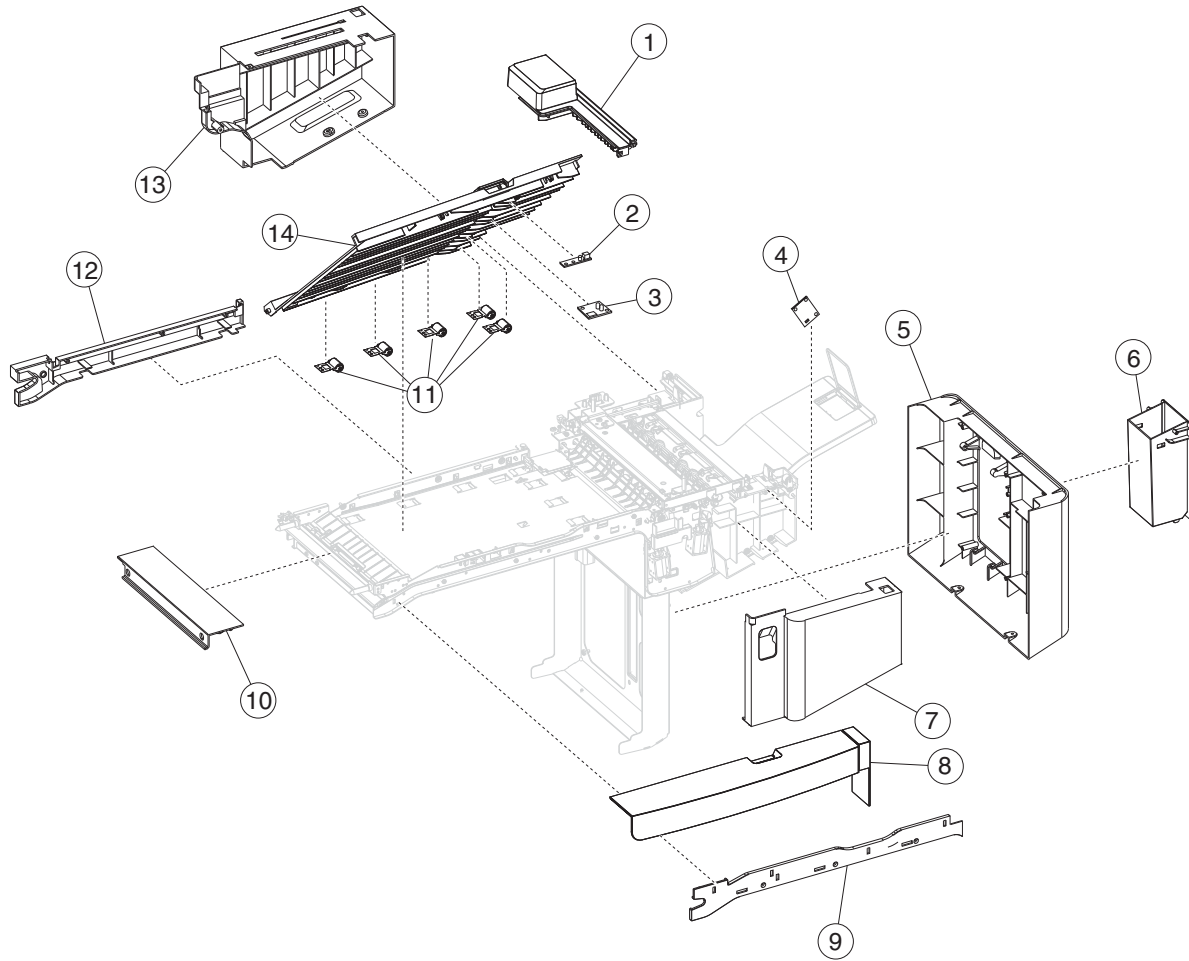


Next



Go Back

Assembly 26: HTU with hole punch (covers)



Previous



Next



Go Back

Assembly 26: HTU with hole punch (covers)

Index	P/N	Units/ mach	Units/ FRU	Description	Removal procedures
26—1	40X7326	1	1	HTU with hole punch, top right cover	“HTU top right cover removal” on page 4-411
2	40X4528	1	1	HTU access door beacon card	“HTU access door paper jam beacon (with cover and cable) removal” on page 4-362
3	40X5544	1	1	Receive PCBA (transparency detect)	“HTU access door paper jam beacon (with cover and cable) removal” on page 4-362
4	40X5544	2	1	Receive PCBA (bin full)	“HTU card (bin-full send card and lens) removal” on page 4-368
5	40X7289	1	1	HTU with hole punch, right bottom cover	“HTU right bottom cover removal” on page 4-397
6	40X7299	1	1	Chad hopper	“HTU right bottom cover removal” on page 4-397
7	40X7280	1	1	HTU front standard bin cover	“HTU front standard bin cover removal” on page 4-374
8	40X7274	1	1	HTU outer front cover (AIO only)	“HTU outer front cover removal (AIO only)” on page 4-391
9	40X7279	1	1	HTU front redrive cover	“HTU front redrive cover removal” on page 4-373
10	40X7286	1	1	HTU top redrive cover	“HTU top redrive cover removal” on page 4-410
11	40X7277	5	2	HTU access door rollers	“HTU access door rollers removal” on page 4-363
12	40X7258	1	1	HTU rear redrive cover	“HTU rear redrive cover removal” on page 4-392
13	40X7283	1	1	HTU rear standard bin cover	“HTU rear standard bin cover removal” on page 4-394
14	40X7276	1	1	HTU access door	“HTU access door removal” on page 4-361

Previous

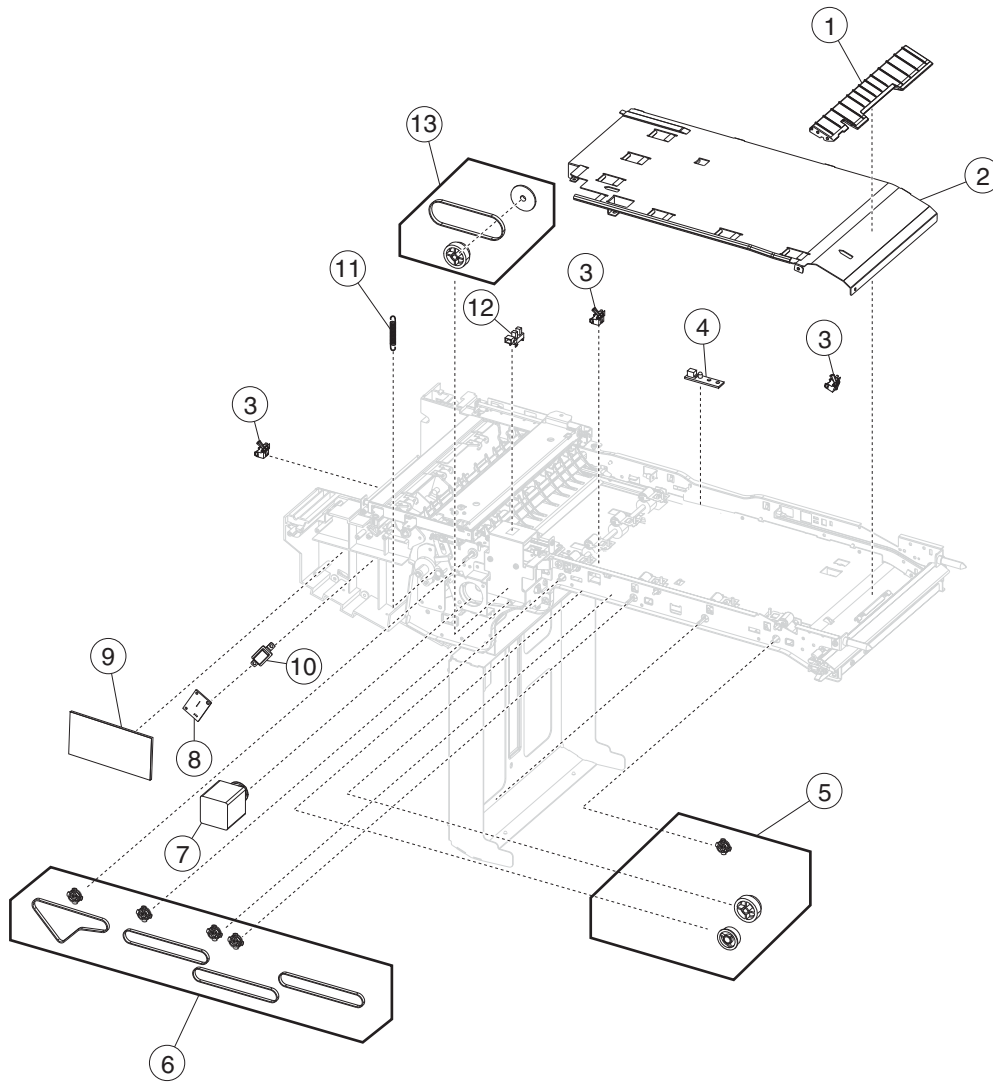


Next



Go Back

Assembly 27: HTU with hole punch (left interior)



Previous



Next



Go Back

Assembly 27: HTU with hole punch (left interior)

Index	P/N	Units/ mach	Units/ FRU	Description	Removal procedure
22—1	40X7305	1	1	HTU upper redrive guide	“HTU upper guide removal” on page 4-415
2	40X7312	1	1	HTU lower redrive guide	“HTU lower redrive guide removal” on page 4-377
3	40X7314	3	1	HTU input sensor HTU 2nd sensor HTU output sensor	“HTU sensor (input) removal” on page 4-404 “HTU sensor (second) removal” on page 4-406 “HTU output sensor removal” on page 4-391
4	40X4626	1	1	Send PCBA (transparency detect)	“HTU access door paper jam beacon (with cover and cable) removal” on page 4-362
5	40X7324	1	1	Drive motor gears parts pkt	“HTU transport gear removal” on page 4-412
6	40X7288	1	1	HTU belts/pulley parts pkt	“HTU drive belt removal” on page 4-370 and “HTU timing belts (rear) removal” on page 4-408
7	40X7327	1	1	Punch motor	“HTU punch motor removal” on page 4-416
8	40X4626	1	1	HTU bin full send card	“HTU card (bin-full send card and lens) removal” on page 4-368
9	40X7302	1	1	HTU controller card	“HTU controller card removal” on page 4-369
10	40X7315	2	1	HTU bin full send/rec lens	“HTU card (bin-full send card and lens) removal” on page 4-368
11	40X7316	1	1	HTU drive gear spring	“HTU drive gear spring removal” on page 4-371
12	40X7224	1	1	Hole punch with sensor	“HTU punch unit removal” on page 4-418
13	40X7228	1	1	Punch gears and belt	“HTU punch gear removal” on page 4-419

Previous



Next



Go Back

Assembly 28: Miscellaneous

P/N	Units/ FRU	Description	Removal procedure
40X7163	5	Sensors parts packet, including <ul style="list-style-type: none"> •Waste toner sensors (2) •Paper auto size sensor •Paper path sensor (not shown) •Bin-full sensor (not shown) 	<p>“Waste toner sensor removal” on page 4-164</p> <p>“Waste toner full sensor removal” on page 4-168</p> <p>“Paper auto-size sensor removal” on page 4-115</p> <p>“Staging deflector assembly removal” on page 4-138</p> <p>“Bin-full sensor removal” on page 4-34</p>
40X7167	1	EP and cartridge cables parts packet, including <ul style="list-style-type: none"> •BLDC K & ITU cable •BLDC Y & Fuser cable •BLDC C & M cable •M+K Cart Metering cable •C+Y Cart Metering cable 	For cable descriptions and locations, see “Cable and thermistor location table” on page 7-67.
40X7168	1	Cables parts packet, including <ul style="list-style-type: none"> •Paper path •MPF sensor •Tray 1 machine side •Duplex motor •Staging motor •Thermistor & redrive •HVPS cable •Option bottom •Ground •Duplex door beacon side •Ref edge ground •Blower & right side waste •Duplexer •Waste toner full 	
40X7170	1	Beacon cables parts packet, including <ul style="list-style-type: none"> •Waste toner •Bin-full & output beacon •Front door beacon 	
40X7171	1	Thermistors parts packet, including <ul style="list-style-type: none"> •Thermistor—weather station compensator •Fuser thermal guide assembly 	
40X7173	140	Screws and fasteners parts packet	
40X7175	24	Cable ties parts packet	
40X7176	5	Cable retainer parts packet	N/A
40X7177	5	Cable retainer parts packet (holds thermistor on LVPS)	N/A
40X7199	5	OP panel cables parts packet, including <ul style="list-style-type: none"> • Front host USB cable • Panel USB Hub - H cable • AIO cavelight cable • 24-pin UICC cable • 30-pin UICC LCD cable 	For cable descriptions and locations, see “Cable and thermistor location table” on page 7-67.
40X7221	1	AIO relocation	N/A

Previous



Next



Go Back

Assembly 28: Miscellaneous

P/N	Units/ FRU	Description	Removal procedure
40X7323	1	Duplex door sensors parts pack <ul style="list-style-type: none"> Fuser bubble sensor D1/D2 sensor 	“Sensor (D1, D2, and fuser bubble) removal” on page 4-135
40X7248	1	Finisher/Stacker cable parts pack <ul style="list-style-type: none"> Standard bin LED cable Exit tray LED cable Full/Near sensor cable jam door LED cable 	N/A
40X7250	1	Output option screws	N/A
40X7320	1	HTU cable parts pack <ul style="list-style-type: none"> Full/Near sensor cable HTU to printer cable Sensor exit cable Feeder sensor cable Jam latch cable Jam access door sensor cable Jam access door sensor #2 cable Jam door LED cable 	N/A
40X7273	1	Mailbox cable parts pack <ul style="list-style-type: none"> Bin full sensor cable Exit tray LED cable Tray LED cable Jam door LED cable Option to printer cable 	N/A
40X7325	1	Tamper full cable	N/A
40X7154	1	Output options relocation kit	N/A
40X7211	99	AIO unique screws parts packet	N/A
40X7249	1	Stapler unique cables <ul style="list-style-type: none"> 10P stapler unit cable 12P stapler tamper cable 	N/A
40X7297	1	Hole punch cable	N/A

Previous



Next



Go Back

Assembly 29: Internal options

Index	P/N	Units/ mach	Units/ FRU	Description
NS	40X6929	1	1	IPDS SCS card
NS	40X6438	1	1	Forms & bar code card
NS	40X6930	1	1	PRESCRIBE card
NS	40X4819	1	1	Serial interface adapter
NS	40X4823	1	1	Parallel 1284-B SERI adapter
NS	40X4826	1	1	MarkNet™ N8120 10/1000 card
NS	40X4827	1	1	MarkNet N8130 10/1000 F adapter
NS	40X5301	1	1	256MB DDR DRAM DIMM
NS	40X5302	1	1	512MB DDR DRAM DIMM
NS	40X5303	1	1	1GB DDR DRAM DIMM
NS	40X5704	1	1	256MB NAND flash card
NS	40X5969	1	1	Korean font card
NS	40X5970	1	1	Simplified Chinese font card
NS	40X5971	1	1	Traditional Chinese font card
NS	40X5972	1	1	Japanese font card
NS	40X6337	1	1	Arabic font card
NS	40X7055	1	1	MarkNet N8110 fax card
NS	40X7058	1	1	160GB hard drive
NS	40X7062	1	1	MarkNet N8250 802.11g US server
NS	40X7063	1	1	MarkNet N8250 802.11g RW server
NS	40X7051	1	1	Printcrypton card

Previous



Next



Go Back

Cable and thermistor location table

Using the following table, locate the part you need to replace, and then go to the listed removal to find instructions for accessing the cable or thermistor.

Cable location table

P/N	item number	Description	Location	To access
40X7165	10J0938	Fuser system card and LVPS cable	Fuser •System board connector: JFSR1	See “Fuser system card and LVPS cable removal” on page 4-63.
40X7166	10J0944	ITM autoconnect cable	Right frame •System board connector: JITM1	See “ITU autoconnect removal” on page 4-73.
40X7167	10J0930	BLDC K & ITU cable	EP drive •System board connector: JKI1	See “EP drive assembly removal” on page 4-54. Note: Use cable ties to attach the toroids to the new cables as you replace them.
	10J0931	BLDC Y & fuser cable	EP drive •System board connector: JYF1	
	10J0932	BLDC C & M cable	EP drive •System board connector: JCM1	
	10J0940	M+K cartridge metering cable	Cartridge memory blocks •System board connector: JCMKM1	See “Cartridge metering cable removal” on page 4-42.
	10J0955	C+Y cartridge metering cable	Cartridge memory blocks •System board connector: JCMCY1	

Previous



Next



Go Back

Cable location table

P/N	item number	Description	Location	To access
40X7168	10J0927	Paper path cables	Deflector assembly •System board connector: JPP2	<ol style="list-style-type: none"> 1. Remove the lower frame cable cover. See “Lower frame cable cover removal” on page 4-20. 2. Remove the staging deflector assembly. See “Staging deflector assembly removal” on page 4-138. 3. Remove the LVPS to route the cable through the hole in the lower frame. See “Low-voltage power supply (LVPS) removal” on page 4-81.
	10J0929	MPF sensor cable	Multipurpose feeder •System board connector: JMPF1	<ol style="list-style-type: none"> 1. Remove the MPF sensor plate assembly. See “MPF sensor plate assembly removal” on page 4-106. 2. Remove the LVPS exit duct to route the cable through the hole in the lower frame. See “LVPS exit duct removal” on page 4-84.
	10J0933	Autocomp W2W cable	Behind Tray 1, between MPF redrive gears and rear frame •System board connector: JTRAY1	See “MPF drive assembly removal” on page 4-104.
	10J0935	Duplex motor cable	Left access door •System board connector: JDUPL1	See “Staging paper path reference edge assembly removal” on page 4-140.
	10J0936	Staging motor cable	Left access door System board connector: JSTAG1	See “Staging deflector assembly removal” on page 4-138. Note: Use a cable tie to attach the toroid to the new cable and frame bracket.

Previous



Next



Go Back

Cable location table

P/N	item number	Description	Location	To access
40X7168 (Cont.)	10J0937	Thermistor & redrive cable	Behind fuser System board connector: JFSRD1	See “Fuser thermistor removal” on page 4-66.
	10J0939	HVPS cable	Under HVPS board •System board connector: JHVPS1	See “High-voltage power supply (HVPS) board removal” on page 4-67.
	10J0942	Input option cable	Bottom frame •System board connector: JIOPT1	1. Remove the bottom plate of the printer. See steps 1 through 5 of “MPF breakaway assemblies removal” on page 4-95. 2. Push the cable up through the frame. 3. Stand the printer back up, and remove the cable Note: Use cable ties to attach the toroid to the new cable.
	10J0947	Ground strap cable	Front system board cage support above LVPS	1. Remove the rear cover. See “Rear cover removal” on page 4-23. 2. Remove the strap from the top of the LVPS.
	10J0948	Duplex door beacon cable, side	Behind LVPS exit duct, through left rear frame to left access door •System board connector: JDDLED1	See “LVPS exit duct removal” on page 4-84 and “Left cover removal” on page 4-16.
	10J0949	Ref edge ground cable	Staging paper path reference edge	See “Staging paper path reference edge assembly removal” on page 4-140.
	10J0951	Paper path redrive sensor cable	Paper path redrive • System board connector: JRDR1	See “Paper path redrive assembly with sensors removal” on page 4-116.
	10J0953	Blower & right side waste cable	Behind blower, on top frame under printhead access cover •System board connector: JBLW1	See “Printhead access cover removal” on page 4-22.
	10J0957	Duplex unit cable	Behind LVPS exit duct, through left rear frame to left access door •System board connector: JDP1	See “LVPS exit duct removal” on page 4-84 and “Left cover removal” on page 4-16.
	10J0967	Waste toner full cable	•System board connector: JWTBF1	See “Waste toner full cable removal” on page 4-167.
40X7170	10J0943	Waste toner cable	Under lower frame cable cover •System board connector: JWTB1	See “Waste toner cable removal” on page 4-165.
	10J0950	Bin-full sensor cable	Top cover •System board connector: JTCVR1	See AIO cavelight cable in “OP panel cables removal” on page 4-110.
	10J0960	Front door beacon cable	Waste toner left cover	See “Waste toner left cover removal” on page 4-31.

Previous



Next



Go Back

Cable location table

P/N	item number	Description	Location	To access
40X7171	10J0974	Weather station compensation thermistor	On LVPS •System board connector: JCCT2	See step 5 of “Low-voltage power supply (LVPS) removal” on page 4-81.
	10J1370	Fuser thermal guide assembly	Behind fuser	See “Fuser thermistor removal” on page 4-66.
40X7189	10J4303	Cave light/Output bin cable	Connects to bin-full sensor and to cave light cable under scanner left side front cover •System board connector: JTCVR1	1. Disconnect the cable from the bin full sensor. See “Bin-full sensor removal” on page 4-34. 2. Disconnect the cable from under the scanner left side covers. See “Scanner left side front cover removal” on page 4-214 and “Scanner left side rear cover removal” on page 4-214.
40X7199	10J0963	Front host USB cable	OP panel housing to UICC card	“Front USB cable removal” on page 4-59
	10J0971	Panel USB Hub - H cable	Under flatbed scanner assembly •System board connector: JFMUSB	“OP panel cables removal” on page 4-110
	10J4302	AIO cavelight cable	Connects to the OP panel housing and to cable 10J4303 under the scanner left side covers.	
	10J4308	24-pin UICC cable	Under flatbed scanner assembly • System board connector: J1	
	17X0054	30-pin UICC LCD cable	OP panel UICC card to display	
40X7199		ADF beacon LED cable	On the bottom of the ADF document tray	“ADF beacon cable removal” on page 4-173

Previous



Next



Go Back